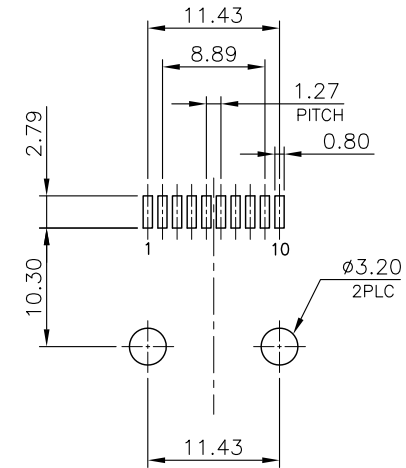
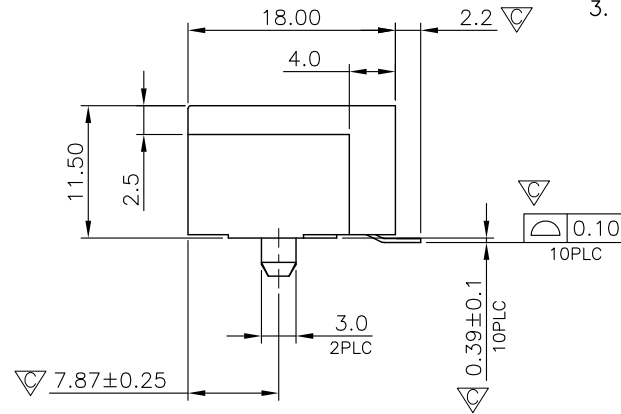
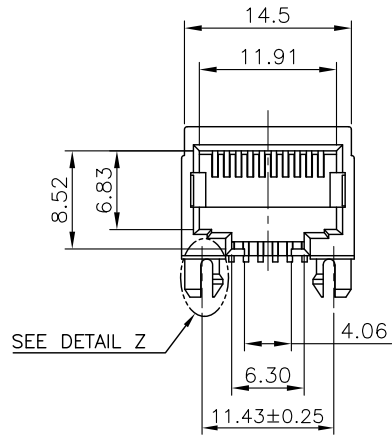


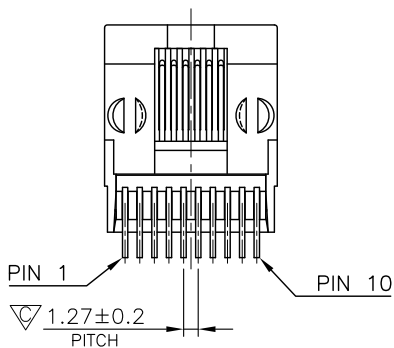
DETAIL Z
SCALE 2:1

NOTE:
CAVITY CONFORMS TO FCC RULES AND REGULATIONS PART 68, SUBPART F.

1. MATERIAL:
 - 1.1 HOUSING: PA46, WITH GLASS FIBER, UL94V-0, STANDARD COLOR-BLACK.
 - 1.2 INSERT HOUSING: PA46, WITH GLASS FIBER, UL94V-0, STANDARD COLOR-BLACK.
 - 1.3 CONTACTS: PHOSPHOR BRONZE.
2. FINISH:
 - 2.1 CONTACTS: GOLD PLATED ON CONTACT AREA, GOLD FLASH ON SOLDER TAIL, 1.27μm [50μ"] MIN. NICKEL UNDERPLATED OVERALL.
3. "▽" SHOWS QIP INSPECTION POINT.



RECOMMENDED PCB LAYOUT
PCB THICKNESS: 1.6mm
TOLERANCE: ±0.05mm (TOP VIEW)



RoHS Compliant

TOLERANCES ARE

MORETHANALL
PCB CONNECTORS
Cable ASSEMBLIES

DRAWING BY CY

X, ±
.X ± 0.25
.XX ± 0.13
.XXX ± 0.05
ANG ±

CHECKED BY GENIUS

UNIT / mm SCALE 1:1

DATE

SIZE A4

PJECTION

照片框

ORDER INFORMATION

MJW11-KX06P-1010-LF

SERIES | | | | LEADFREE
| | | | 10P10C
| | | | POST
| | | | 06u" GOLD
| | | | NON EAR
| | | | BLACK

DESCRIPTION: 10POSITION, SMT TYPE SIDE ENTRY PCB JACK

煜倫股份有限公司

www.morethanall.com