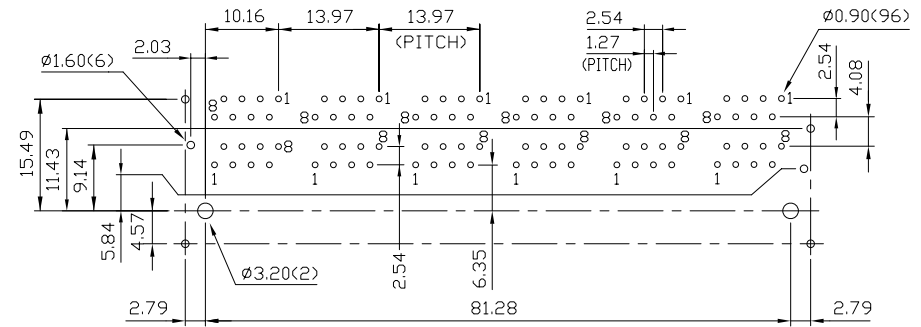
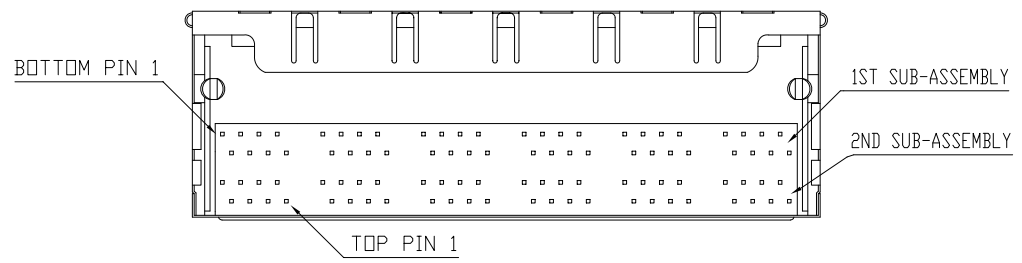
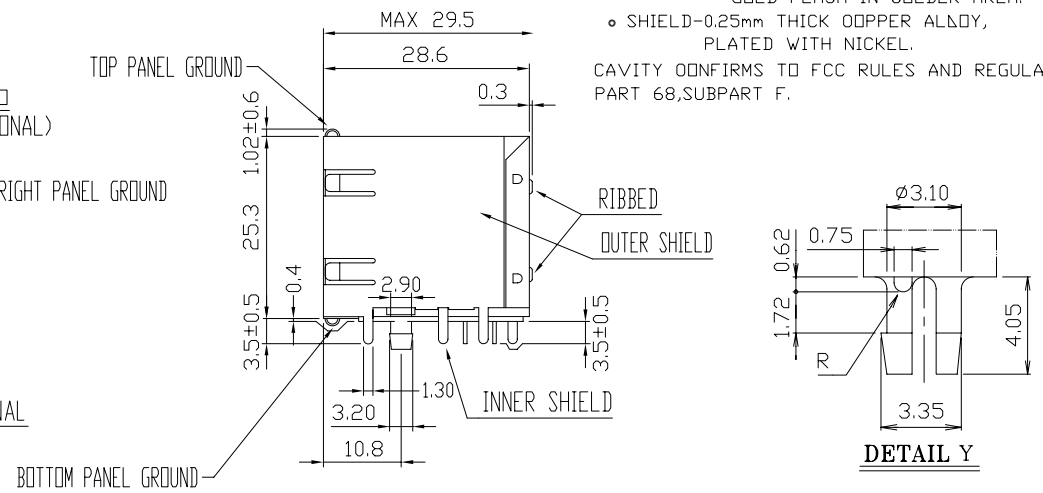
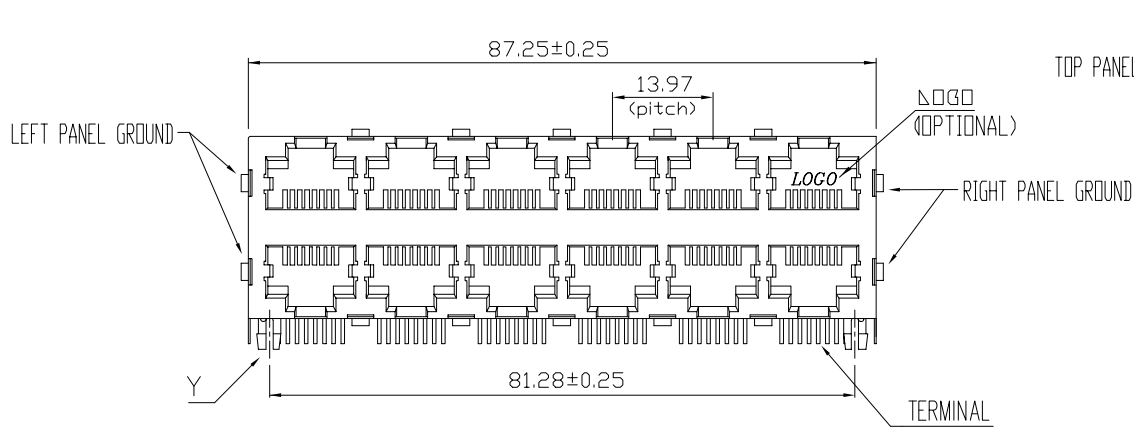


- MATERIAL:
- HOUSING-PBT POLYESTER UL-94V-0 MIXED GLASS FIBER. STANDARD ODOR-BLACK
 - CONTACTS-0.35mm THICK PHOS-BRONZE PLATED WITH HARD GOLD AND GOLD FLASH IN SOLDER AREA.
 - SHIELD-0.25mm THICK COPPER ALLOY, PLATED WITH NICKEL.
- CAVITY CONFORMS TO FCC RULES AND REGULATIONS PART 68,SUBPART F.



PCB LAYOUT Ref.

RoHS Compliant

TOLERANCES ARE



DRAWING BY CY

X, ±

CHECKED BY GENIUS

.X, ±

UNIT / mm

SCALE 1 : 1

.XX, ±

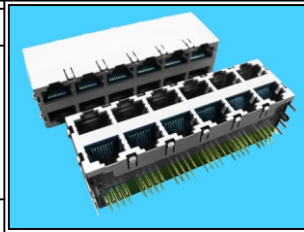
DATE

.XXX, ±

ANG, ±

SIZE A4

PPOJECTION



ORDER INFORMATION

MJF25B6-KF06A4-0808-LF

SERIES LEADFREE
FRONT TAB 4.57mm
BLACK 06u" GOLD FULL SPRING

煜倫股份有限公司

www.morethanall.com

DESCRIPTION: 2X6 8POSITIONS RIGHT ANGLE SHIELDED PCB JACK