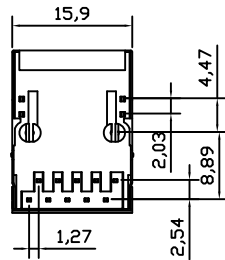
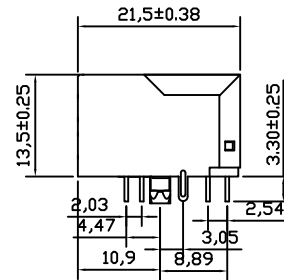
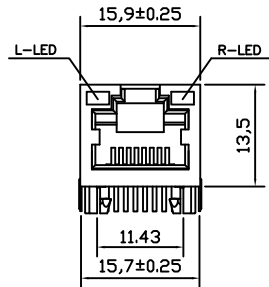
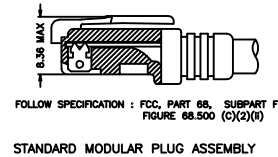
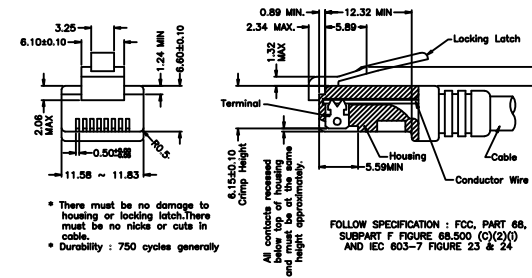


PCB Layout



NOTE:

- 1.Shielded - 0.20mm THICKNESS BRASS C2680 H. PLATING NICKEL 20u"-40u".
- 2.Housing- Standard Material Nylon66,Glass Filled Polyester UL94V-0 Standed Color Black.
- 3.RJ Terminal- Plastic:Nylon66, UL94V-0,Standard Color Black. Pin:0.35mm Thickness Phos-Bronze C5210 EH. Plating:Nickel40u"~60u" for all and Sn 100% ,and Gold Plating.
- 4.Input Terminal- Nylon66,Glass Filled,UL94V-0, Standard Color Black. Pin:0.35mm SUS430. Plating:Nickel40u"~60u" for all and Sn 100%.



Code	RJ45 Plating			LED Code			
	Contact Area	Solder tail	Under plating	Left LFD	Right LED		
	50μ" gold	150μ" Tin Min.	50μ" Nickel	+9,-10 Green	+9,-10 -	+11,-12 Yellow	-11,+12 -

RoHS Compliant

TOLERANCES ARE

MORETHANALL
PCB CONNECTORS
Cable ASSEMBLIES

DRAWING BY CY

X, ±

CHECKED BY GENIUS

.X ±

UNIT / mm

SCALE 1 : 1

.XX ±

DATE

.XXX ±

ANG ±

SIZE A4

P PROJECTION

照片框

ORDER INFORMATION

MJF13T45UL-KX50B3GY24-1008

SERIES

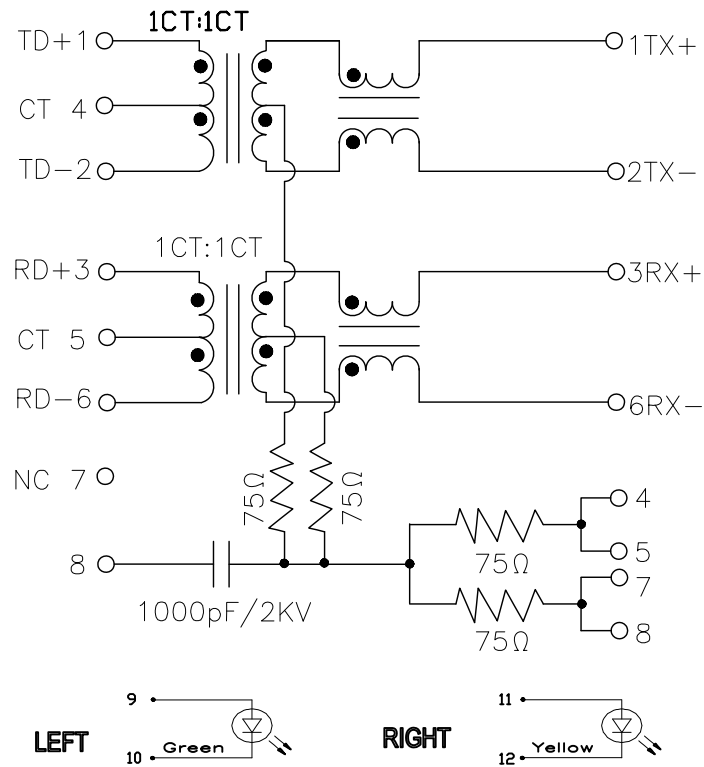
10P8C
LED/L LED/R
GREEN, YELLOW
REAR TAB 3.05mm
BLACK 50u" GOLD
NON EAR

煜倫股份有限公司

www.morethanall.com

DESCRIPTION:RJ45 10/100 BASE-T 1x1 JACK

Schematic



Standard LED	Wavelength	Forward*V(MAX)	TYP
Hsfifo	676nm	3/6w	3/3w
Zfmmpx	676nm	3/6w	3/2w

With a forward current of 20mA

Turns Ratio (±2%)		□CL (uH Min.) @100 KHz/0.1V with 8mA DC Bias	Cross talk (dB Min.)				HI-POT Vrms (VDC) 1.0 mA
TX	RX		0.5-10 MHz	30 MHz	50 MHz	100 MHz	
1CT:1CT	1CT:1CT	350	-48.5	-39	-35	-29.5	1500 (2250)

Insertion Loss (dB Max.)	Return Loss (dB Min.) @ Load 100 OHM				DCMR (dB Min.)		
	1-100 MHz	1-30 MHz	40 MHz	50 MHz	60-80 MHz	1-30 MHz	30-60 MHz
-1.0	-18	-16.5	-14.08	-11.5	-40	-35	-30

LED have following spec:

Green diode: 2,2V and 20mA.

Yellow diode: 2,1V and 20mA.

RoHS Compliant.

RoHS Process Compliant (260° mv.)

MSL Level,ESD not less than 200V.

RoHS Compliant

TOLERANCES ARE

MORETHANALL
PCB CONNECTORS
Cable ASSEMBLIES

煜倫股份有限公司

www.morethanall.com

DRAWING BY CY

CHECKED BY GENIUS

UNIT / mm SCALE 1 : 1

DATE

SIZE A4

PJECTION

X. ±
.X ±
.XX ±
.XXX ±
ANG ±

照片框

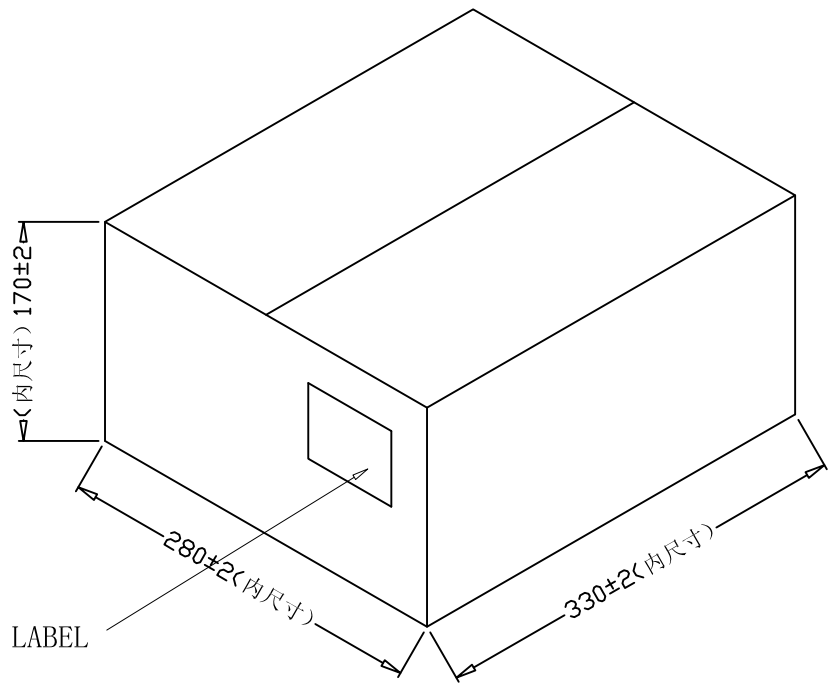
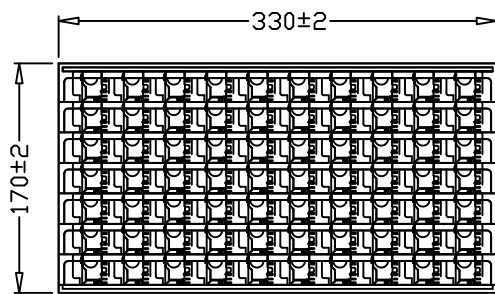
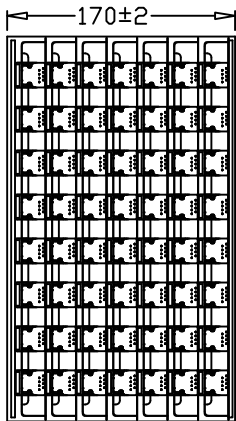
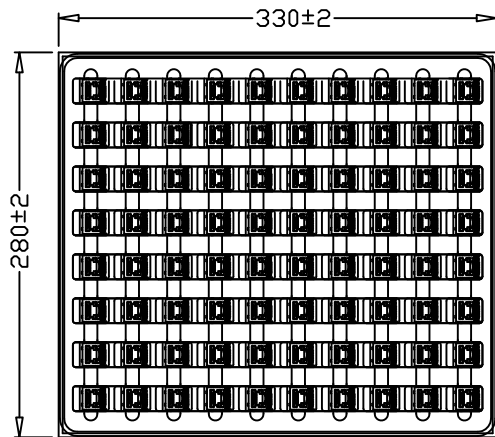
ORDER INFORMATION

MJF13T45UL-KX50B3GY24-1008

SERIES

10P8C
LED/L LED/R
GREEN, YELLOW
REAR TAB 3.05mm
BLACK 50u" GOLD
NON EAR

DESCRIPTION:RJ45 10/100 BASE-T 1x1 JACK



整箱包装方式:80pcs/盘x7盘/箱
 =560pcs/箱
 PVC吸塑盒规格:300*270*20mm
 纸箱规格:330*280*170mm (内尺寸)
 平卡规格:320*270*3 (2pcs平卡/箱)
 防水袋:550*600mm (1pc/箱)
 直角板:50*50*160mm (4PCS/箱)

RoHS Compliant

TOLERANCES ARE

MORETHANALL
 PCB CONNECTORS
 Cable ASSEMBLIES
煜倫股份有限公司
www.morethanall.com

DRAWING BY CY		X, ± .X ± .XX ± .XXX ± ANG ±
CHECKED BY GENIUS		
UNIT / mm	SCALE 1:1	
DATE		
SIZE A4	PJECTION	



ORDER INFORMATION

MJF13T45UL-KX50B3GY24-1008
 SERIES | 10P8C
 LED/L LED/R
 GREEN, YELLOW
 REAR TAB 3.05mm
 BLACK | 50u" GOLD
 NON EAR

DESCRIPTION:RJ45 10/100 BASE-T 1x1 JACK