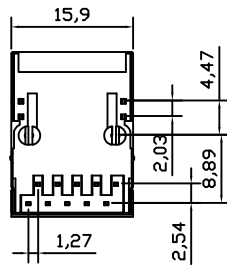
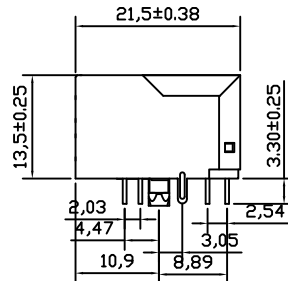
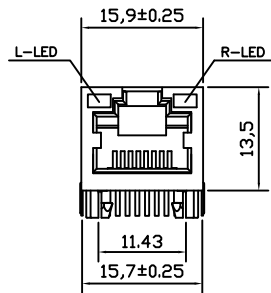
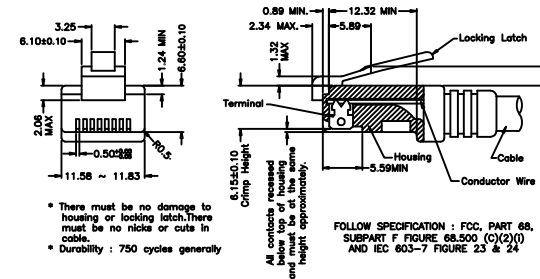


PCB Layout

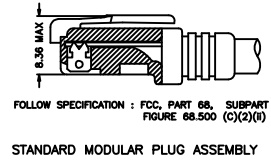


NOTE:

1. Shielded - 0.20mm THICKNESS BRASS C2680 H. PLATING NICKEL 20u"-40u".
2. Housing- Standard Material Nylon66, Glass Filled Polyester UL94V-0 Standard Color Black.
3. RJ Terminal- Plastic: Nylon66, UL94V-0, Standard Color Black. Pin: 0.35mm Thickness Phos-Bronze C5210 EH. Plating: Nickel 40u"~60u" for all and Sn 100% , and Gold Plating.
4. Input Terminal- Nylon66, Glass Filled, UL94V-0, Standard Color Black. Pin: 0.35mm SUS430. Plating: Nickel 40u"~60u" for all and Sn 100%.



* There must be no damage to housing or locking latch. There must be no nicks or cuts in cable.
 * Durability : 750 cycles generally
 All contacts recessed below top of housing and height approximately.
 FOLLOW SPECIFICATION : FCC, PART 68, SUBPART F FIGURE 68.500 (C)(2)(I) AND IEC 603-7 FIGURE 23 & 24



FOLLOW SPECIFICATION : FCC, PART 68, SUBPART F FIGURE 68.500 (C)(2)(I) STANDARD MODULAR PLUG ASSEMBLY

Code	RJ45 Plating			LED Code			
	Contact Area	Solder tail	Under plating	Left LFD		Right LED	
	50μ" gold	150μ" Tin Min.	50μ" Nickel	+9,-10	+9,-10	+11,-12	-11,+12
				Green	-	Yellow	-

RoHS Compliant

TOLERANCES ARE

MORETHANALL
 PCB CONNECTORS
 Cable ASSEMBLIES

DRAWING BY CY

X, ±

CHECKED BY GENIUS

.X ±

UNIT / mm

SCALE 1 : 1

.XXX ±

DATE

ANG ±

SIZE A4

P PROJECTION

照片框

ORDER INFORMATION

MJF13T45UL-KX50B3GY24-0808

SERIES

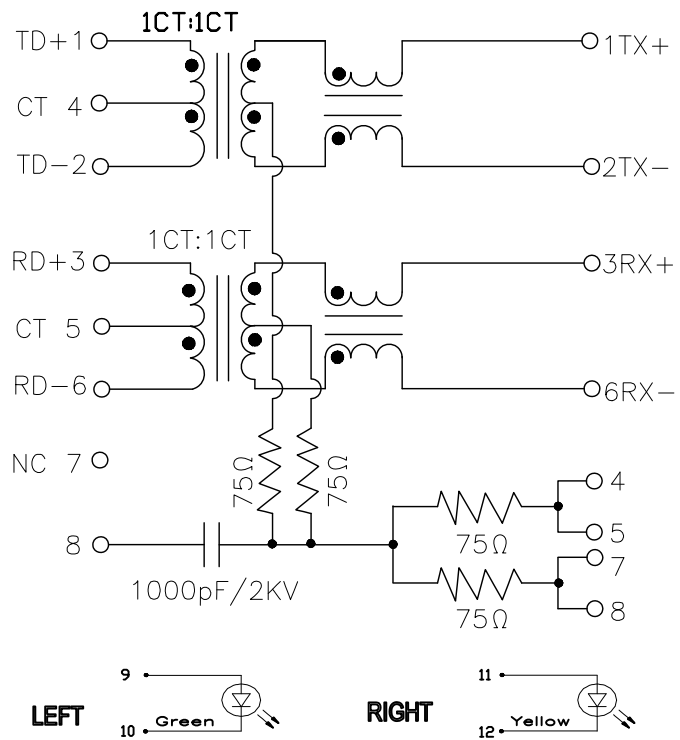
8P8C
 LED/L LED/R
 GREEN, YELLOW
 REAR TAB 3.05mm
 BLACK 50u" GOLD
 NON EAR

煜倫股份有限公司

www.morethanall.com

DESCRIPTION: RJ45 10/100 BASE-T 1x1 JACK

Schematic



Standard LED	Wavelength	Forward*V(MAX)	TYP
Hsffo	676nm	3/6w	3/3w
Zfmmpx	676nm	3/6w	3/2w

With a forward current of 20mA

Turns Ratio (±2%)		DCL (uH Min.) @100 KHz/0.1V with 8mA DC Bias	Cross talk (dB Min.)				HI-PDT Vrms (VDC) 1.0 mA
TX	RX		0.5-10 MHz	30 MHz	50 MHz	100 MHz	
1CT:1CT	1CT:1CT	350	-48.5	-39	-35	-29.5	1500 (2250)

Insertion Loss (dB Max.)	Return Loss (dB Min.) @ Load 100 ΩHM				DCMR (dB Min.)		
1-100 MHz	1-30 MHz	40 MHz	50 MHz	60-80 MHz	1-30 MHz	30-60 MHz	60-100 MHz
-1.0	-18	-16.5	-14.08	-11.5	-40	-35	-30

LED have following spec:

Green diode: 2,2V and 20mA.

Yellow diode: 2,1V and 20mA.

RoHS Compliant.

RoHS Process Compliant (260° mv.)

MSL Level,ESD not less than 200V.

MORETHANALL
PCB CONNECTORS
Cable ASSEMBLIES

煜倫股份有限公司

www.morethanall.com

RoHS Compliant

DRAWING BY CY

CHECKED BY GENIUS

UNIT / mm SCALE 1:1

DATE

SIZE A4

TOLERANCES ARE

X. ±
.X ±
.XX ±
.XXX ±
ANG ±

PPOJECTION

照片框

ORDER INFORMATION

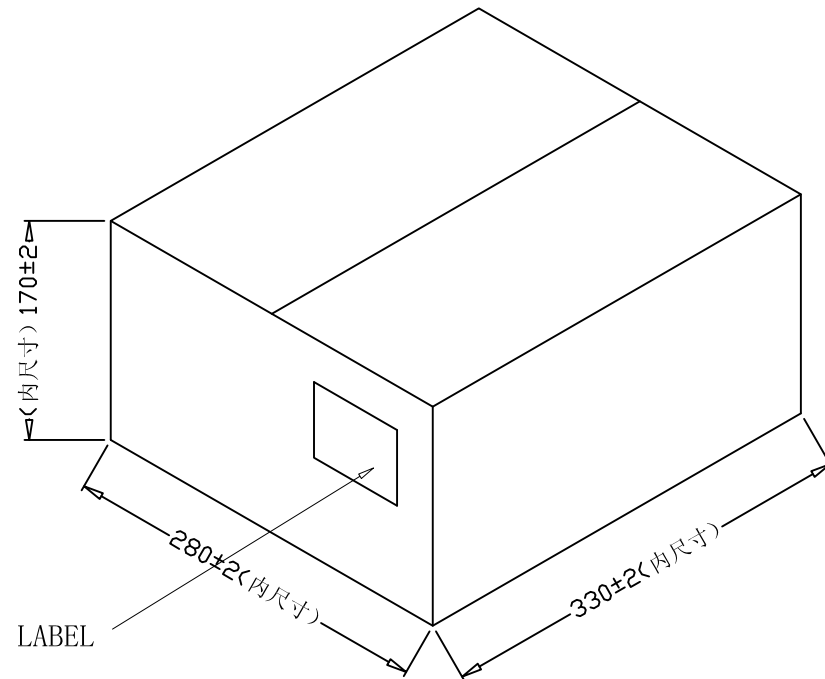
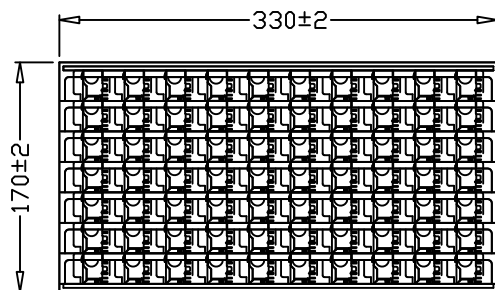
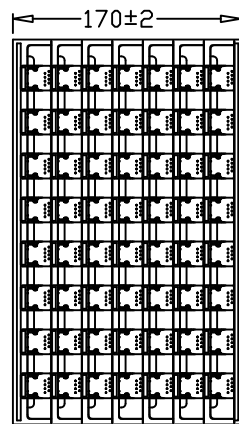
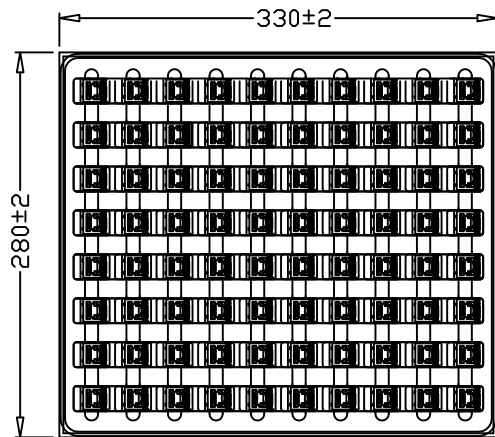
MJF13T45UL-KX50B3GY24-0808

SERIES

BLACK | 50u" GOLD
NON EAR

8P8C
LED/L LED/R
GREEN, YELLOW
REAR TAB 3.05mm

DESCRIPTION:RJ45 10/100 BASE-T 1x1 JACK



整箱包装方式: 80pcs/盘x7盘/箱
=560pcs/箱

PVC吸塑盒规格: 300*270*20mm

纸箱规格: 330*280*170mm (内尺寸)

平卡规格: 320*270*3 (2pcs平卡/箱)

防水袋: 550*600mm (1pc/箱)

直角板: 50*50*160mm (4PCS/箱)

RoHS Compliant

TOLERANCES ARE

MORETHANALL
PCB CONNECTORS
Cable ASSEMBLIES

煜倫股份有限公司

www.morethanall.com

DRAWING BY CY

CHECKED BY GENIUS

UNIT / mm

SCALE 1:1

DATE

SIZE A4

X, ±
.X ±
.XX ±
.XXX ±
ANG ±

PJECTION

照片框

ORDER INFORMATION

MJF13T45UL-KX50B3GY24-0808

SERIES

8P8C
LED/L LED/R
GREEN, YELLOW
REAR TAB 3.05mm
BLACK 50u" GOLD
NON EAR

DESCRIPTION: RJ45 10/100 BASE-T 1x1 JACK