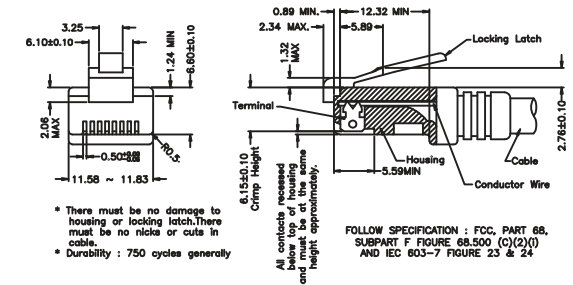


Code	RJ45 Plating		
	Contact Area	Solder tail	Under plating
	6μ" gold	150μ" Tin Min.	50μ" Nickel

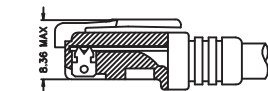
LED Code			
	Left LFD	Right LED	
	+9,-10	+11,-12	-11,+12
	Green	Yellow	-
	Yellow	Green	-
	Green	Green	-
	-	Green	Yellow
	-	Yellow	Green
	Yellow	Orange	Green
	Orange	Green	Yellow
	Green	-	Yellow
	Green	Yellow	Green
	Green	Yellow	Green
	-	-	-

NOTE:

- Shielded - 0.20mm THICKNESS BRASS C2680 H. PLATING NICKEL 20u"-40u".
- Housing- Standard Material Nylon66,Glass Filled Polyester UL94V-0 Standed Color Black.
- RJ Terminal- Plastic:Nylon66, UL94V-0,Standard Color Black. Pin:0.35mm Thickness Phos-Bronze C5210 EH. Plating:Nickel40u"~60u" for all and Sn 100% ,and Gold Plating.
- Input Terminal- Nylon66,Glass Filled,UL94V-0, Standard Color Black. Pin:0.35mm SUS430. Plating:Nickel40u"~60u" for all and Sn 100%.



- There must be no damage to housing or locking latch. There must be no nicks or cuts in cable.
- Durability : 750 cycles generally



FOLLOW SPECIFICATION : FCC, PART 68, SUBPART F FIGURE 68.500 (C)(2)(i)

STANDARD MODULAR PLUG ASSEMBLY

RoHS Compliant

TOLERANCES ARE

**MORETHANALL**  
PCB CONNECTORS  
Cable ASSEMBLIES

DRAWING BY CY

X, ±

CHECKED BY GENIUS

.X ± 0.38

UNIT / mm

SCALE 1 : 1

.XX ± 0.20

DATE

.XXX ± 0.15

ANG ±

SIZE A4

PPOJECTION

照片框

ORDER INFORMATION

MJF13T45UL-KF06B3xx24-0808

SERIES

8P8C

LED/L LED/R

GY:GREEN,YELLOW

YG:YELLOW,GREEN

BLACK

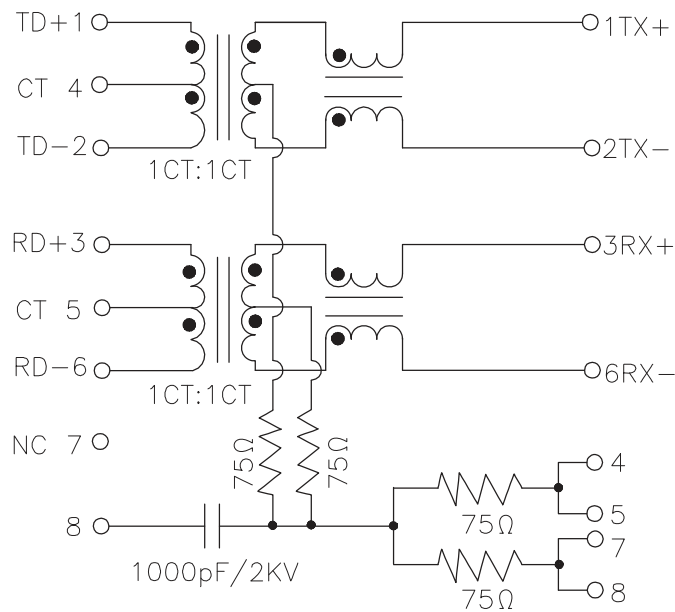
REAR TAB 3.05mm

FULL SPRING 06u" GOLD

煜倫股份有限公司

www.morethanall.com

DESCRIPTION:



Standard LED	Wavelength	Forward*V(MAX)	TYP
Hsffo	676on	3/6w	3/3w
Zfmmpx	676on	3/6w	3/2w

With a forward current of 20mA

Turns Ratio (±2%)		DCL (uH Min.) @100 KHz/0.1V with 8mA DC Bias	Cross talk (dB Min.)				HI-PDT Vrms (VDC) 1.0 mA
TX	RX		0.5-10 MHz	30 MHz	50 MHz	100 MHz	
1CT:1CT	1CT:1CT	350	-50	-40	-35	-30	1500 (2250)

Insertion Loss (dB Max.)	Return Loss (dB Min.) @ Load 100 OHM				DCMR (dB Min.)		
	1-30 MHz	40 MHz	50 MHz	60-80 MHz	1-30 MHz	30-60 MHz	60-100 MHz
-1.0	-19	-16	-14.08	-11.5	-40	-35	-30

RoHS Compliant

TOLERANCES ARE



煜倫股份有限公司

www.morethanall.com

DRAWING BY CY

CHECKED BY GENIUS

UNIT / mm SCALE 1 : 1

DATE

SIZE A4 PPROJECTION

X. ±  
.X ± 0.38  
.XX ± 0.20  
.XXX ± 0.15  
ANG ±



ORDER INFORMATION

MJF13T45UL-KF06B3xx24-0808



DESCRIPTION: