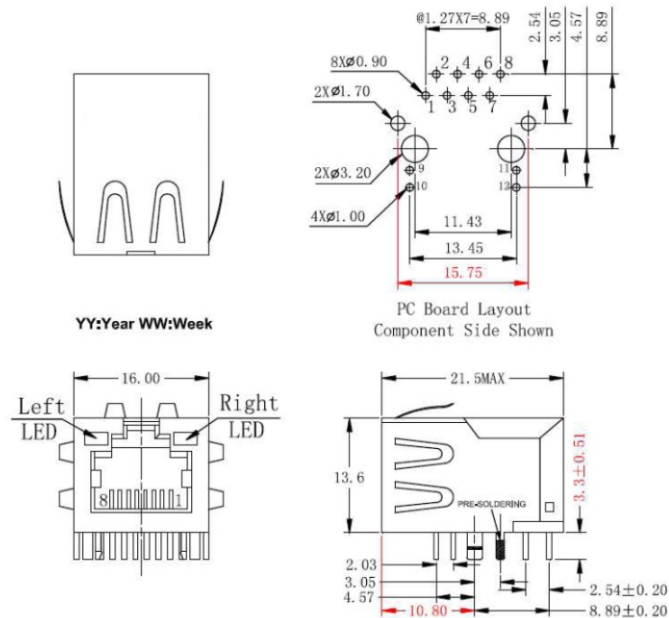


一、Mechanical Dimensions

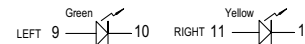
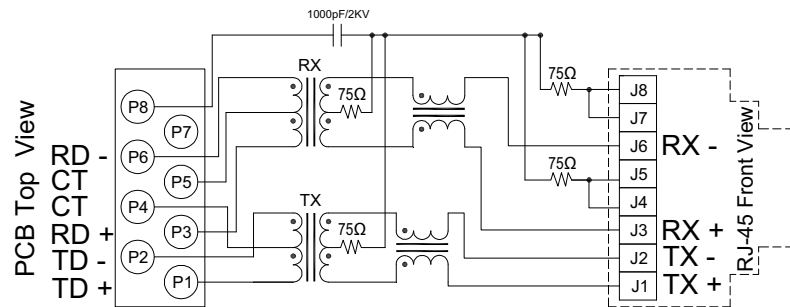


YY:Year WW:Week

PC Board Layout
Component Side Shown

Unit: mm Unless otherwise specified, all tolerances are ± 0.25

二、Schematics



Standard LED	Wavelength	Forward*V(MAX)	TYP
Green	565nm	2.5v	2.2v
Yellow	585nm	2.5v	2.1v

With a forward current of 20mA

三、ELECTRICAL SPECIFICATIONS@25 °C:

1. Turn Ratio($\pm 2\%$):1 CT:1CT
2. Inductance(100KHz/0.1V@8mA):350uH MIN
3. Insertion Loss (dB MAX): -1.0dB(1-100MHz)
4. Return Loss (dB MIN): -19dB(1-30MHz),-16dB(40MHz), -14.08dB(50MHz),
-11.5dB(60-80MHz)
5. DCMR (dB MIN): -40dB(1-30MHz), -35dB(35-60MHz), -30dB(60-100MHz)
6. Cross talk(dB MIN): -50dB(0.1-10MHz), -40dB(30MHz), -35dB(50MHz)
-30dB(100MHz)
7. HI-POT(Pri to Sec):1500Vrms or 2250VDC
8. Operating Temperature: 0°C TO +70°C
9. RoHS compliance:YES

RoHS Compliant

TOLERANCES ARE

MORETHANALL
PCB CONNECTORS
Cable ASSEMBLIES

煜倫股份有限公司

www.morethanall.com

DRAWING BY CY

CHECKED BY GENIUS

UNIT / mm SCALE 1 : 1

DATE

SIZE A4

PJECTION

X, \pm
.X \pm
.XX \pm
.XXX \pm
ANG \pm

照片框

ORDER INFORMATION

MJF13T45UL-KF06B3GY24-0808

SERIES

8P8C
LED/L LED/R
GREEN, YELLOW
REAR TAB 3.05mm
BLACK 06u" GOLD
FULL SPRING

DESCRIPTION: 10/100 BASE-T SINGLE PORT RJ-45 JACK MAGNETICS

四、Mechanicals

Housing Material:

MATERIAL:NYLON 66 UL94V-0 STANDARD COLOR:BLACK

Insert Material:

MATERIAL:Phos-Bronze C5210 EH---0.35mm Thickness

Insert -PBT GF UL94V-0

- 1.PLATING(1) NICKEL
- 2.PLATING(2) 100%Sn
- 3.PLATING(3) GOLD (3u " ~50u ")

Plate Material:

PBT GF UL 94V-0

Contact pin Material:

MATERIAL: Phos-Bronze C5191---0.35mm Thickness

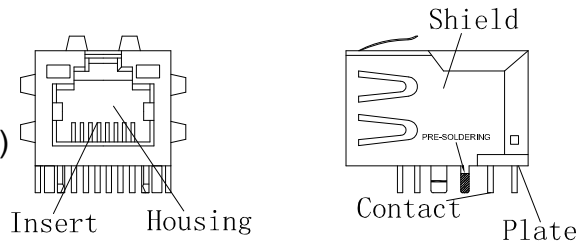
- 1.PLATING(1) NICKEL
- 2.PLATING(2) 100%Sn

Shielding Material:

BRASS C2680 PLATING NICKEL
Operating Life:750 Cycles MIN.

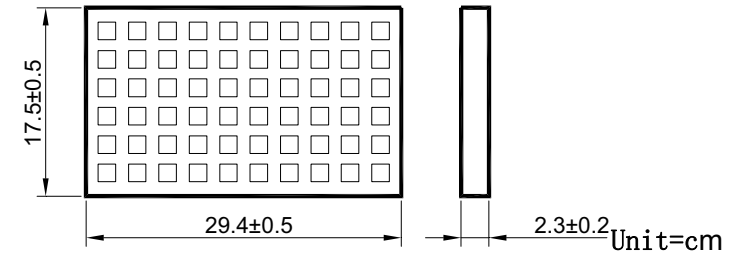
五、Environmental

- 1.Storage Temp: -40℃ TO +85℃.
- 2.Operating Temp: 0℃ TO +70℃
3. MATES WITH MODULAR PLUG CONFORMING TO FCC PART 68,SUBPART F.

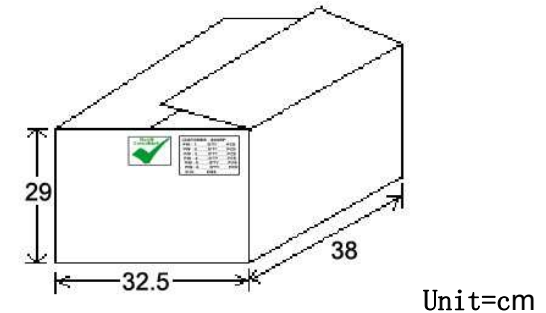


六、Packaging

1. Weight-----7.1grams/pcs
2. packaging unit : 60 PCS/tray
3. packaging material : PET



4. outer carton unit 1320 pcs/ 22 Trays/box



RoHS Compliant

TOLERANCES ARE

MORETHANALL
PCB CONNECTORS
Cable ASSEMBLIES

煜倫股份有限公司

www.morethanall.com

DRAWING BY CY

CHECKED BY GENIUS

UNIT / mm SCALE 1 : 1

DATE

SIZE A4

X, ±
.X ±
.XX ±
.XXX ±
ANG ±

PPOJECTION

照片框

ORDER INFORMATION

MJF13T45UL-KF06B3GY24-0808

SERIES

BLACK 06u" GOLD FULL SPRING
REAR TAB 3.05mm
LED/L LED/R
GREEN, YELLOW
8P8C

DESCRIPTION: 10/100 BASE-T SINGLE PORT RJ-45 JACK MAGNETICS