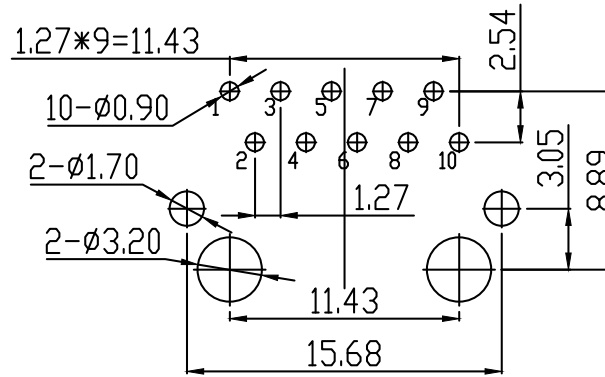


MECHANICAL :

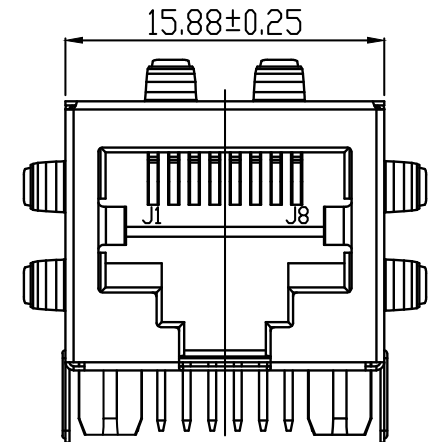
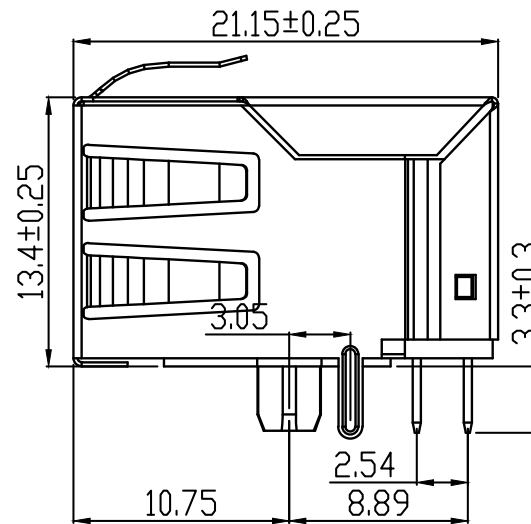
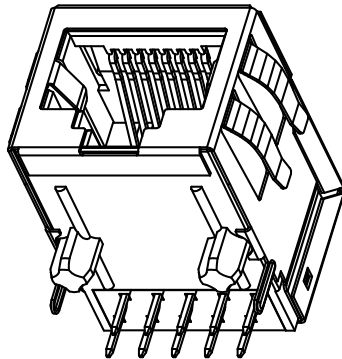
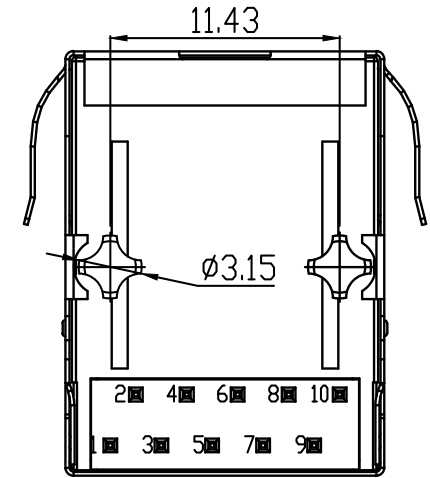
1. INSERT MATERIAL: PA46 UL94V-0.
2. CONTACT MATERIAL: C5191 (QSn6.5-0.1)
PHOSPHOR BRONZE T=0.35mm.
3. PLATING: 1. CONTACT AREA-SELECTIVE GOLD PLATING.
: 2. TAILS PLATING TIN OVER NICKEL.
4. SHIELD: 0.20mm THICKNESS H65Y BRASS NICKEL PLATED.
5. MATING FORCE: 2.2KG. F MAX.
6. OPERATING LIFE: 750 CYCLES MIN.

ENVIRONMENTAL :

1. STORAGE: -40°C ~ +85°C RELATIVE HUMIDITY < 70%.
2. OPERATION: 0°C ~ +70°C.



PC Board Layout



RoHS Compliant

TOLERANCES ARE

MORETHANALL
PCB CONNECTORS
Cable ASSEMBLIES

煜倫股份有限公司

www.morethanall.com

DRAWING BY CY

CHECKED BY GENIUS

UNIT / mm

SCALE 1 : 1

DATE

SIZE A4

P PROJECTION

X, ±
.X ± 0.25
.XX ± 0.15
.XXX ± 0.05
ANG ±

照片框

ORDER INFORMATION

MJF13T056-KF06B3-0808-LF

SERIES

LEAD FREE

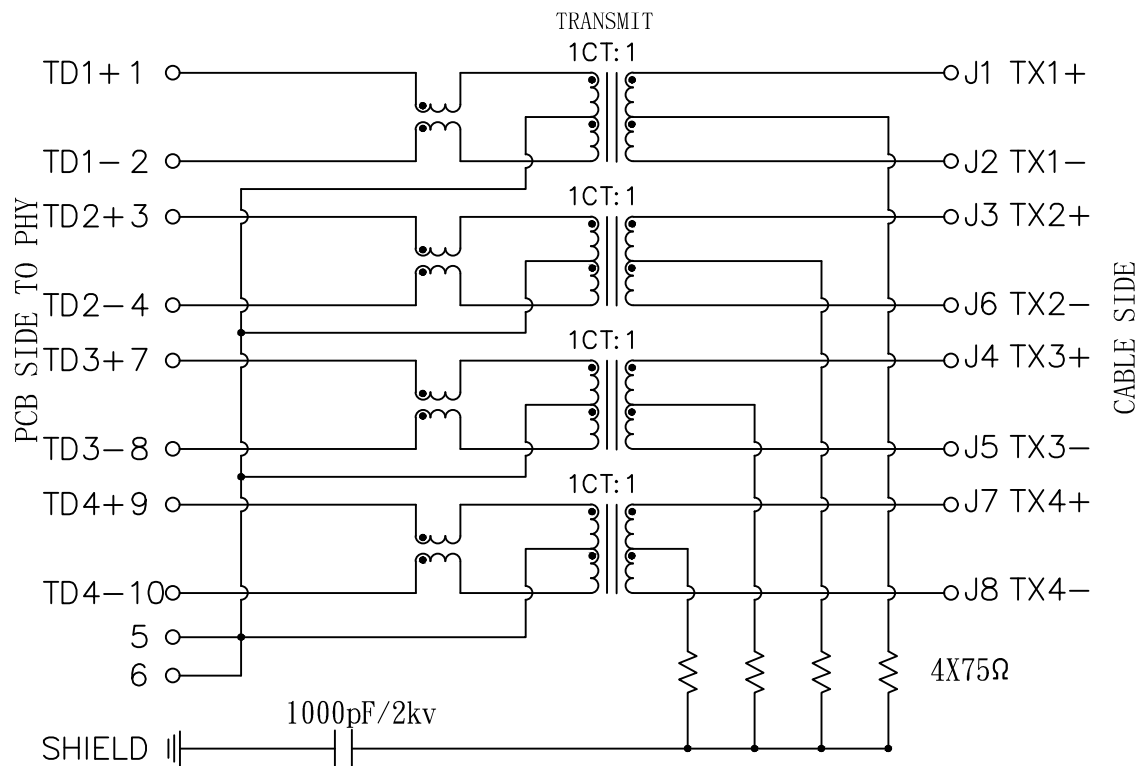
8P8C

REAR TAB 3.05mm

06u" GOLD

WITH PANEL GROUND
BLACK

DESCRIPTION: TAB-DUWN 1X1 1000BASE



Electrical:

1. Turn ratio: 1~2: J1~J2=1CT:1CT ($\pm 2\%$).
3~4: J3~J6=1CT:1CT ($\pm 2\%$).
7~8: J4~J5=1CT:1CT ($\pm 2\%$).
9~10: J7~J8=1CT:1CT ($\pm 2\%$).
2. OCL: 350uH Min. at 100KHz 100mV 8mA DC.
3. Insertion Loss: -1.0 dB Max 1~100MHz.
4. Return loss: -20dB Min 1~10MHz;
-16dB Min 10~30MHz.
-12dB Min 30~60MHz.
-10dB Min 60~80MHz.
5. Cross talk: -40dB Min 1~30MHz;
-35dB Min 30~60MHz;
-30dB Min 60~100MHz;
6. CMR: -30dB Min 1~100MHz;
7. Hi-Pot: 1500V AC & 2250V DC
6S 1mA PRI TO SEC

RoHS Compliant

TOLERANCES ARE

MORETHANALL
PCB CONNECTORS
Cable ASSEMBLIES

DRAWING BY CY

CHECKED BY GENIUS

UNIT / mm

SCALE 1 : 1

DATE

SIZE A4

X, \pm
.X \pm 0.25
.XX \pm 0.15
.XXX \pm 0.05
ANG \pm

P PROJECTION

照片框

ORDER INFORMATION

MJF13T056-KF06B3-0808-LF

SERIES

LEAD FREE

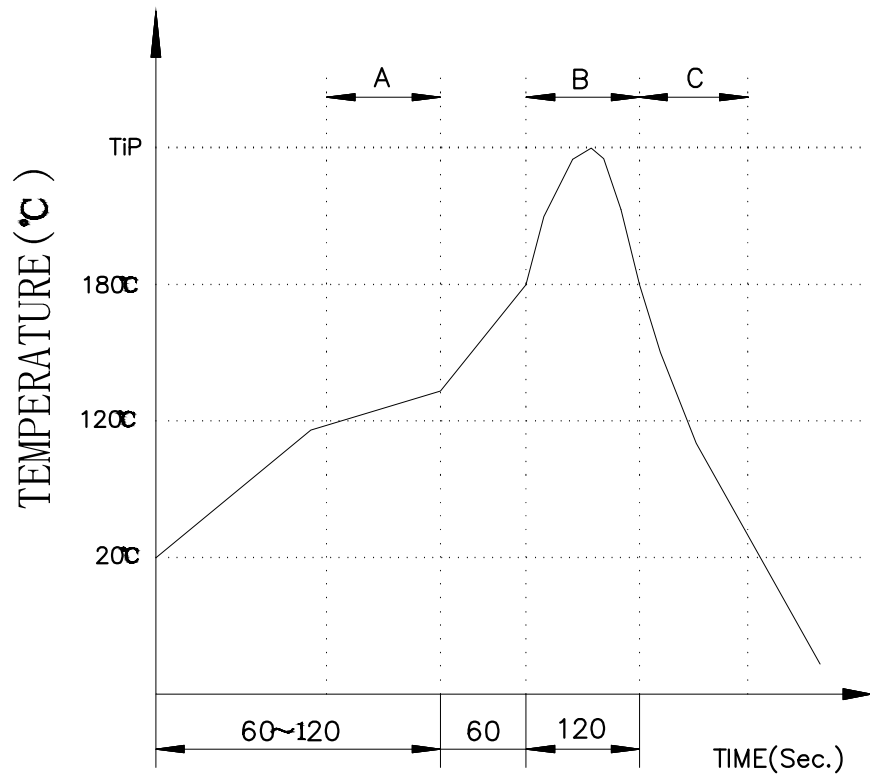
8P8C
REAR TAB 3.05mm
06u" GOLD
WITH PANEL GROUND
BLACK

煜倫股份有限公司

www.morethanall.com

DESCRIPTION: TAB-DUWN 1X1 1000BASE

PROFILE OF WAVE SOLDER



A. Preheating B. Soldering C. Gradual Cooling
 Tip temperature: $260 \pm 5^\circ \text{C}$.
 Tip temperature time: 5Sec Max.
 Tip melting point of Sn96.5/Ag3/Cu0.5: 217°C .

Remarks: after wave soldering, the plastic positioning columns of the product which under the PCB will be slightly melted, but it won't affect its function.

RoHS Compliant

TOLERANCES ARE

MORETHANALL
 PCB CONNECTORS
 Cable ASSEMBLIES

煜倫股份有限公司

www.morethanall.com

DRAWING BY CY

CHECKED BY GENIUS

UNIT / mm

SCALE 1 : 1

DATE

SIZE A4

X, \pm
 .X \pm 0.25
 .XX \pm 0.15
 .XXX \pm 0.05
 ANG \pm

PPOJECTION

照片框

ORDER INFORMATION

MJF13T056-KF06B3-0808-LF

SERIES

LEAD FREE

8P8C

REAR TAB 3.05mm

06u" GOLD

WITH PANEL GROUND
 BLACK

DESCRIPTION: TAB-DUWN 1X1 1000BASE