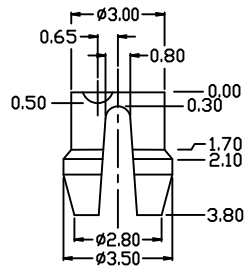
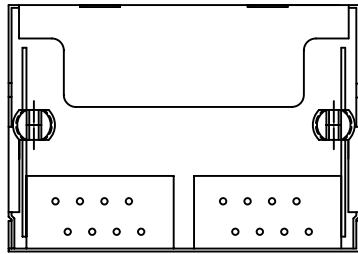


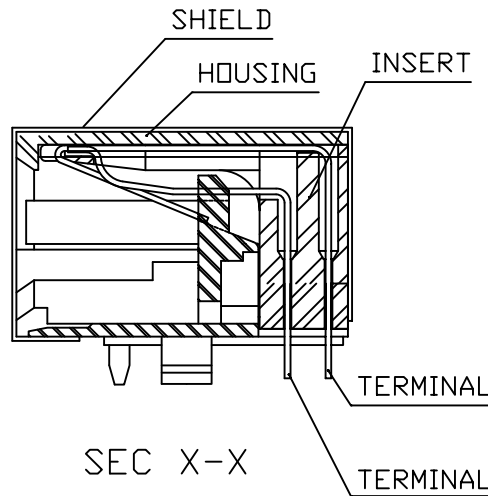
**MATERIALS:**

- HOUSING-PBT POLYESTER UL94V-0 MIXED GLASS FIBER, STANDARD COLOR-BLACK
- SHIELD-0.25mm THICK COPPER ALLOY, NICKEL PLATED.
- CONTACTS-0.35mm THICK PHOS-BRONZE PLATED WITH HARD GOLD AND GOLD FLASH IN SOLDER AREA.

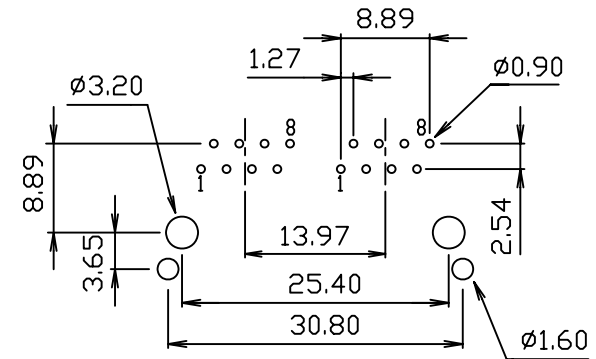
CAVITY CONFIRMS TO FCC RULES AND REGULATIONS PART 68,SUBPART F.



DETAIL Y



SEC X-X



PC Board Layout Ref.

**RoHS Compliant**

TOLERANCES ARE

**MORETHANALL**  
PCB CONNECTORS  
Cable ASSEMBLIES

煜倫股份有限公司

www.morethanall.com

DRAWING BY CY

CHECKED BY GENIUS

UNIT / mm

SCALE 1 : 1

DATE

SIZE A4

PJECTION

X, ±  
.X ±  
.XX ±  
.XXX ±  
ANG ±

照片框

**ORDER INFORMATION**

MJF13A2-KX06A36-0808-LF

SERIES

||

||

||

||

||

||

||

||

||

||

||

||

||

||

||

||

||

LEADFREE

8P8C

FRONT TAB 3.65mm

06u" GOLD

NON EAR

BLACK

DESCRIPTION:CAT.5 2PORTS 8POSITION SHIELDED SIDE ENTRY PCB GANGED JACK