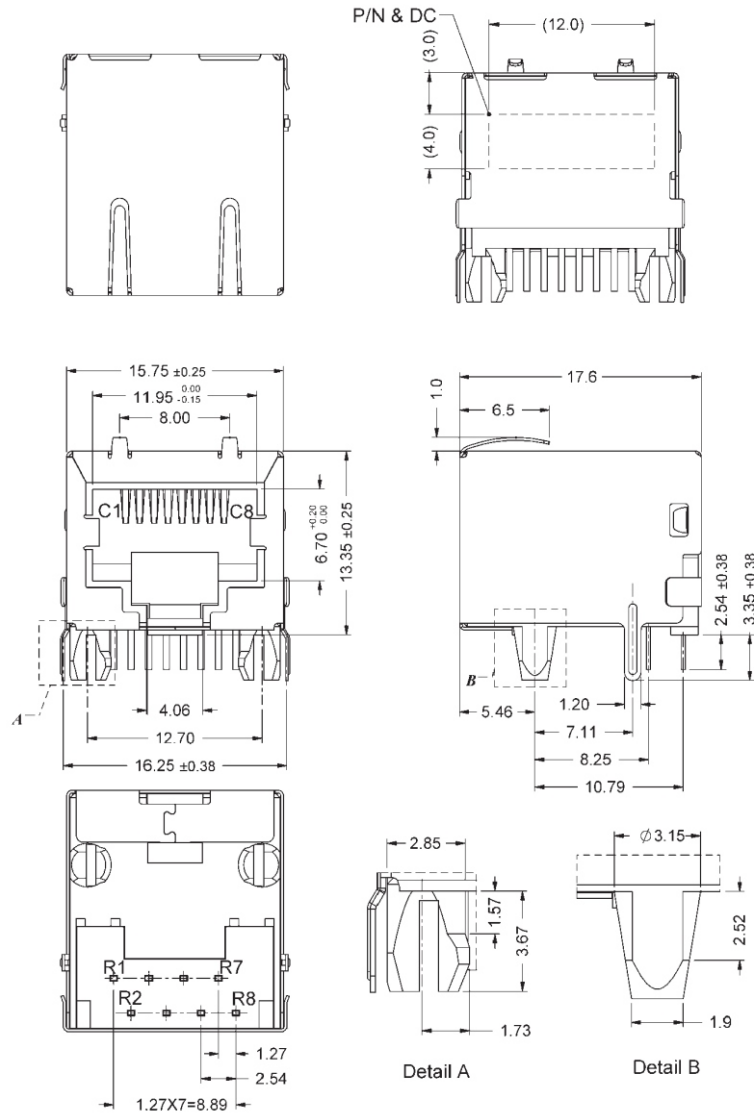


1.MECHANICAL DIMENSION

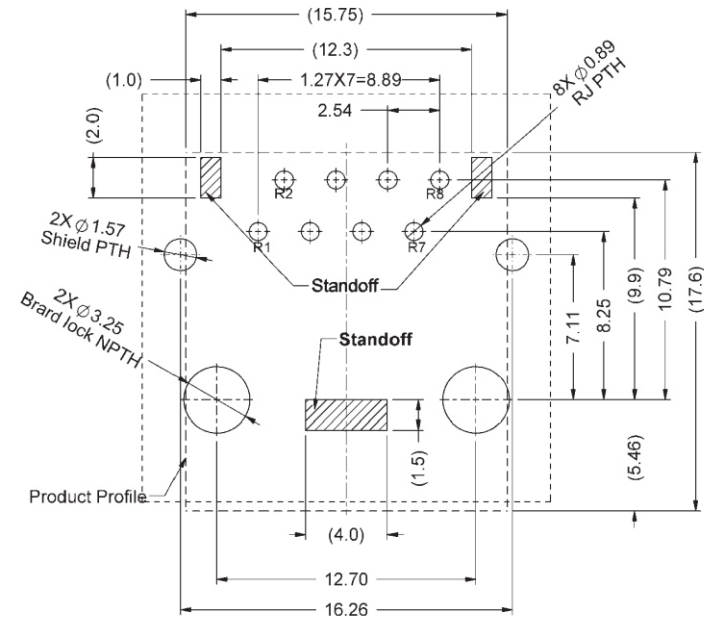
1.1 Product Dimension



1.2 Recommended PCB Layout

Component Side of Board

All dimension tolerance are ±0.05mm unless otherwise specified



RoHS Compliant

TOLERANCES ARE

**MORETHANALL**  
PCB CONNECTORS  
Cable ASSEMBLIES

DRAWING BY CY

X, ±

CHECKED BY GENIUS

.X ±

UNIT / mm

SCALE 1 : 1

.XX ±

DATE

.XXX ±

ANG ±

煜倫股份有限公司

www.morethanall.com

SIZE A4

PJECTION

照片框

ORDER INFORMATION

MJF13-KT15B7-0808-LF

SERIES | | | | LEADFREE  
8P8C  
REAR TAB 7.11mm  
15u" GOLD  
TOP SPRING  
BLACK

DESCRIPTION: