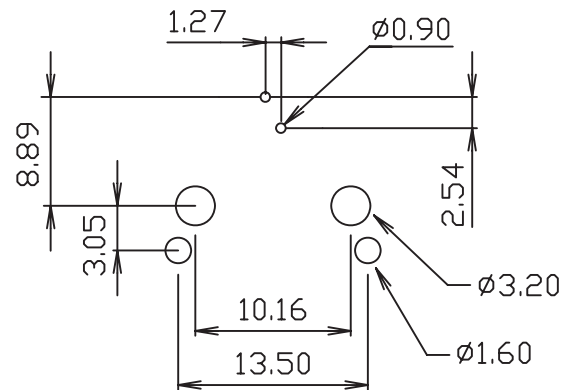


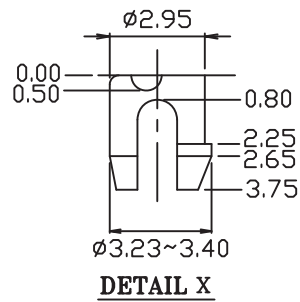
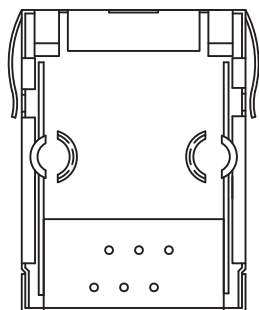
MATERIAL:

- HOUSING-PBT POLYESTER UL94V-0 MIXED GLASS FIBER. STANDARD ODOR-BLACK
- CONTACTS-0.45mm DIA. PHOS-BRONZE PLATED WITH HARD GOLD.
- SHIELD-0.25mm THICK COPPER ALLOY, PLATED WITH TIN/LEAD.

CAVITY CONFIRMS TO FCC RULES AND REGULATIONS PART 68,SUBPART F.



PC Board Layout Ref.



RoHS Compliant

TOLERANCES ARE

MORETHANALL
PCB CONNECTORS
Cable ASSEMBLIES

DRAWING BY CY

X.±

CHECKED BY GENIUS

.X±

UNIT / mm

SCALE 1 : 1

.XX±

DATE

.XXX±

ANG ±

照片框

ORDER INFORMATION

MJF13-KF06A3-0602-LF

SERIES | LEADFREE
6P2C
FRONT TAB 3.05mm
06u" GOLD
FULL SPRING
BLACK

煜倫股份有限公司

www.morethanall.com

SIZE A4

PJECTION

DESCRIPTION: 6POSITION SHIELDED S-P.G. ROUND PIN SIDE ENTRY PCB JACK