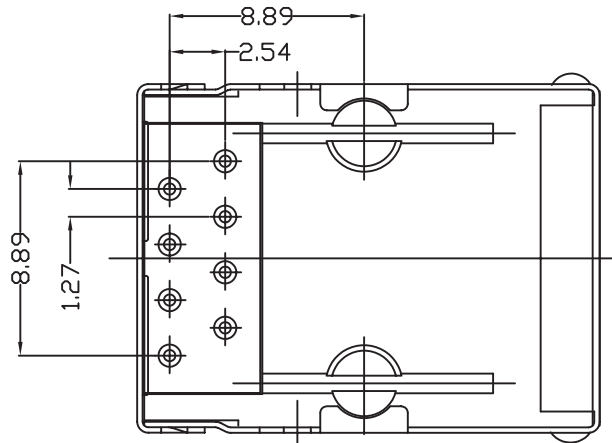


PCB LAYOUT



SPECIFICATION

- 1, ELECTRICAL CHARACTERISTICS
 - CURRENT RATING: 1.5A MIN
 - CURRENT VOLTAGE: 125V AC
 - INSULATION RESISTANCE: 200M OHM MIN
- 2, PHYSICAL CHARACTERISTICS
 - HOUSING: PBT(G30) UL94V-0 BLACK
 - CONTACT: 0.46MM PHOSPHOR BRONZE
 - GOLD PLATING OVER NICKEL
 - DURABILITY: 200 MATING CYCLES MINI

RoHS Compliant

TOLERANCES ARE



煜倫股份有限公司

www.morethanall.com

DRAWING BY CY

CHECKED BY GENIUS

UNIT / mm SCALE 1 : 1

DATE

SIZE A4

X. ±
.X ±
.XX ±
.XXX ±
ANG ±

PJECTION

照片框

ORDER INFORMATION

MJF13-KF03B3-0808-LF

SERIES | | | | LEADFREE
| | | | 8P8C
| | | | REAR TAB 3.05mm
| | | | 03u" GOLD
| | | | FULL SPRING
| | | | BLACK

DESCRIPTION: