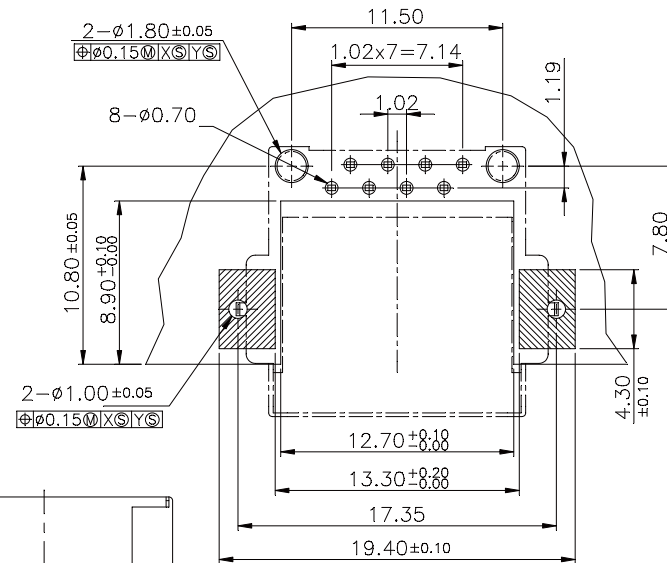
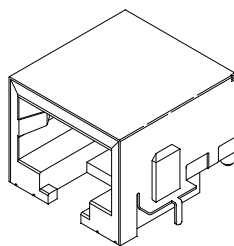
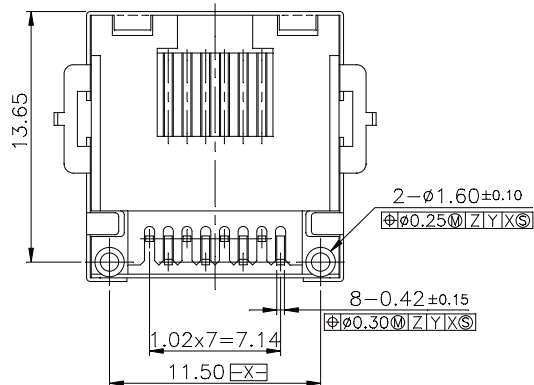
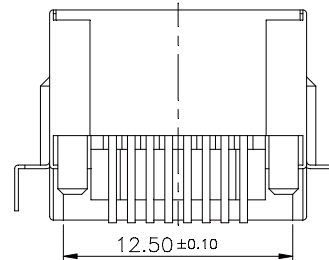
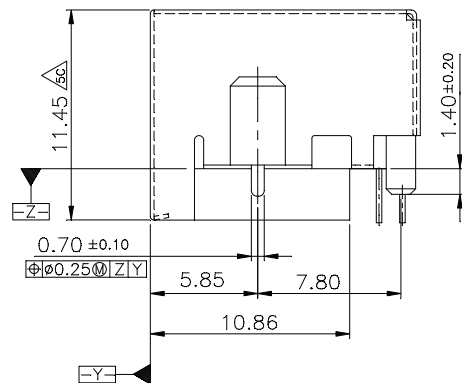
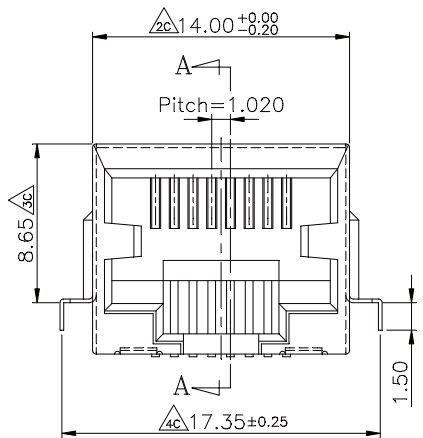


SECTION A-A



RECOMMENDED P.C.B LAYOUT
TOP VIEW (COMPONENT SIDE)



RoHS Compliant

TOLERANCES ARE

MORETHANALL
PCB CONNECTORS
Cable ASSEMBLIES

DRAWING BY CY

CHECKED BY GENIUS

UNIT/mm

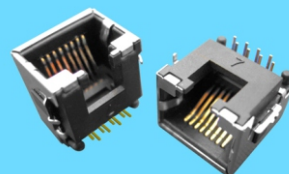
SCALE 1:1

DATE

SIZE A4

X ±
X ± 0.20
.XX ± 0.10
.XXX ±
ANG ±

PJECTION



ORDER INFORMATION

MJF08-KX06-0808-LF

SERIES | | LEADFREE
| | 8P8C
| | 06u" GOLD
| | NON EAR
| | BLACK

煜倫股份有限公司

www.morethanall.com

DESCRIPTION: