

PCB LAYOUT

NOTES:

1. ELECTRICAL CHARACTERISTICS:

- 1-1. CURRENT RATING: 1.5A MAX.
- 1-2. VOLTAGE RATING: 150V MAX.
- 1-3. INSULATION RESISTANCE: 100M MAX.
- 1-4. DIELECTRIC WITHSTANDING VOLTAGE: 1000V CONTACT TO CONTACT.

1-5. LED'S CHARACTERISTICS:

- 1-5-1. POWR DISSIPATION: 80mW MAX.
- 1-5-2. FORWARD CURRENT: 30mA MAX.
- 1-5-3. FORWARD VOLTAGE: 2.2V TYPICAL.
- 1-5-4. REVERSE VOLTAGE: 5.0V MAX.

2. MECHANICAL CHARACTERISTICS

2-1. MATING FORCES:

5 POUNDS MAX. WITH LATCH DEPRESSED.

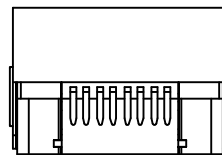
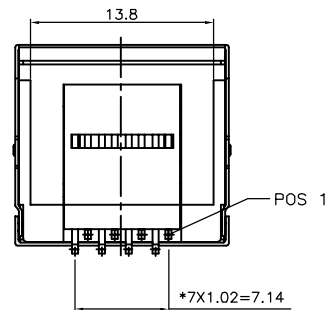
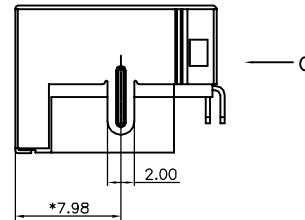
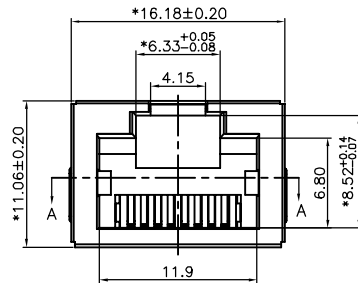
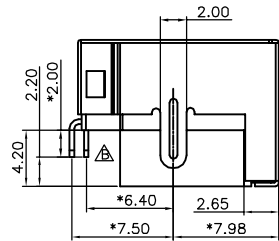
2-2. UNMATING FORCES:

10 POUNDS MAX. WITH LATCH DEPRESSED AT AN ADVANTAGEOUS ANGLE.

2-3. OPERATING TEMPERATURE: -30° TO +70°

3. MATERIAL:

- 3-1. HOUSING: PA9T UL 94V-0. STAND COLOR BLACK.
- 3-2. SHELL: BRASS 2680(1/2H) THICKNESS 0.25MM. SHIELD NICKEL PLATING.
- 3-3. CONTACT: PHOS-COPPER, THICKNESS 0.35MM. CONTACT PLATING GOLD 6u" BASIC TIN PLATING



VIEW "C"

RoHS Compliant

TOLERANCES ARE

MORETHANALL
PCB CONNECTORS
Cable ASSEMBLIES

DRAWING BY CY

X, ±

CHECKED BY GENIUS

.X ±

UNIT / mm

SCALE 1 : 1

.XXX ±

DATE

ANG ±

SIZE A4

PPOJECTION

照片框

ORDER INFORMATION

MJF06U-KX06-0808-LF



煜倫股份有限公司

www.morethanall.com

DESCRIPTION: RJ45 break board type