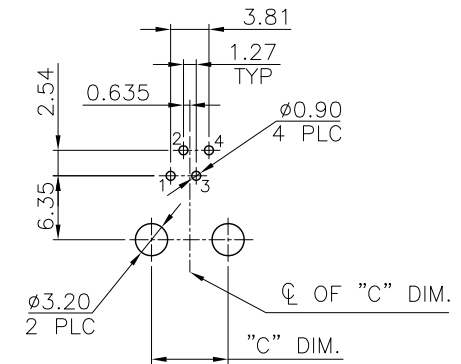


DETAIL B
(SCALE 2:1)

NOTE:

CAVITY CONFIRMS TO FCC RULES AND REGULATIONS PART 68, SUBPART F.

1. MATERIAL:
HOUSING: PBT OR PA46, WITH GLASS FIBER,
UL 94V-0, STANDARD COLOR-BLACK.
CONTACTS: PHOSPHOR BRONZE.
2. FINISH:
CONTACTS: GOLD PLATED ON ENTIRE CONTACT,
1.27μm [50μ"] MIN. NICKEL UNDERPLATED
ALL OVER.
3. "▽" SHOWS QIP INSPECTION POINT.



RECOMMENDED PCB LAYOUT
RECOMMENDED PCB THICKNESS: 1.6mm
TOLERANCE: ±0.05 (TOP VIEW)

RoHS Compliant

TOLERANCES ARE

MORETHANALL
PCB CONNECTORS
Cable ASSEMBLIES

煜倫股份有限公司

www.morethanall.com

DRAWING BY CY

CHECKED BY GENIUS

UNIT / mm

SCALE 1:1

DATE

SIZE A4

X, ±
.X ± 0.25
.XX ± 0.13
.XXX ± 0.05
ANG ±

P PROJECTION

照片框

ORDER INFORMATION

MJD16-KE01D4-0404-LF

SERIES LEADFREE

4P4C
DIA 0.450
G/F
EAR
BLACK

DESCRIPTION: 4POSITION, 180°, SPLIT PEGS, TOP ENTRY PCB JACK