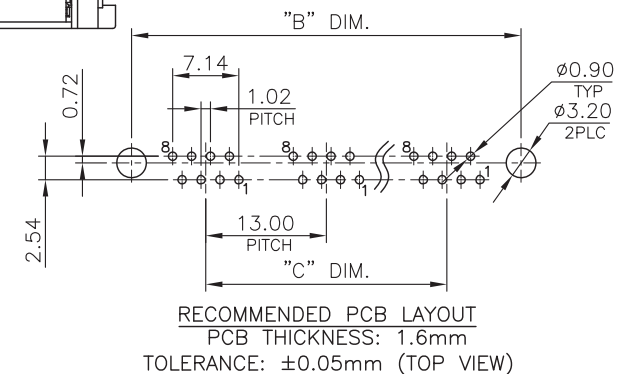


NOTE:

CAVITY CONFIRMS TO FCC RULES AND REGULATIONS PART 68, SUBPART F.

1. MATERIAL:
  - 1.1 HOUSING: PBT, WITH GLASS FIBER, UL94V-0, STANDARD COLOR-BLACK.
  - 1.2 INSERT HOUSING: PBT, WITH GLASS FIBER, UL94V-0, STANDARD COLOR-BLACK.
  - 1.3 INSERT COVER: PBT, WITH GLASS FIBER, UL94V-0, STANDARD COLOR-BLACK.
  - 1.4 CONTACTS: PHOSPHOR BRONZE.
  - 1.5 METAL PEG: BRASS.
2. FINISH:
  - 2.1 CONTACTS: GOLD PLATED ON CONTACT AREA, GOLD FLASH ON SOLDER TAIL, 1.27μm [50μ"] MIN. NICKEL UNDERPLATED OVERALL.
  - 2.2 METAL PEG: 2.54μm [100μ"] MIN. TIN PLATED.



照片框

RoHS Compliant

TOLERANCES ARE

**MORETHANALL**  
PCB CONNECTORS  
Cable ASSEMBLIES  
煜倫股份有限公司  
www.morethanall.com

DRAWING BY CY  
CHECKED BY GENIUS  
UNIT / mm SCALE 1 : 1  
DATE  
SIZE A4 PPROJECTION

X. ±  
.X ± 0.25  
.XX ± 0.13  
.XXX ± 0.05  
ANG ±

ORDER INFORMATION

MJD15Ax-GE06ZIM-0808-LF  
SERIES | 8P8C | LEADFREE  
2:2 PORTS | INSERT MOLDING  
8:8 PORTS | CLIP | 06u" GOLD  
EAR GRAY

DESCRIPTION: RJ45, TOP ENTRY, PCB GANDED JACK, FROM 2PORTS THRU 4PORTS