

NOTE:

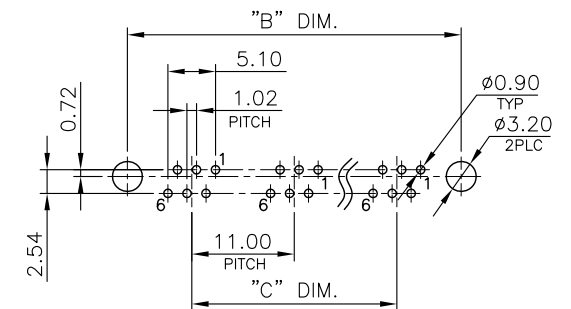
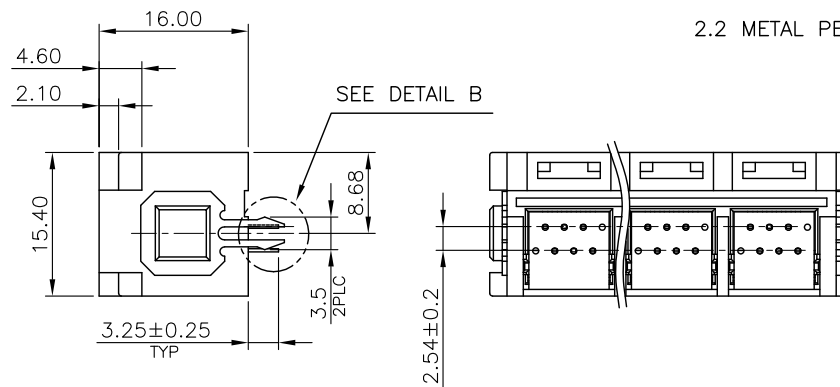
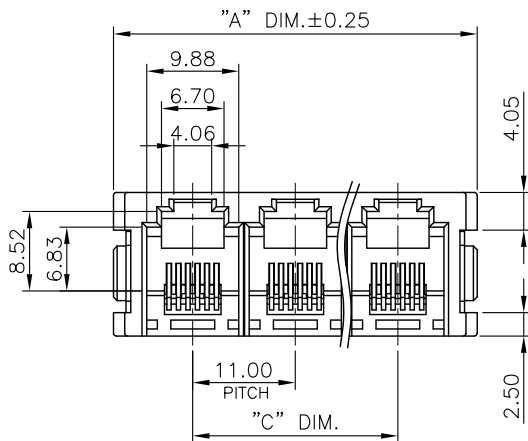
CAVITY CONFIRMS TO FCC RULES AND REGULATIONS PART 68, SUBPART F.

1. MATERIAL:

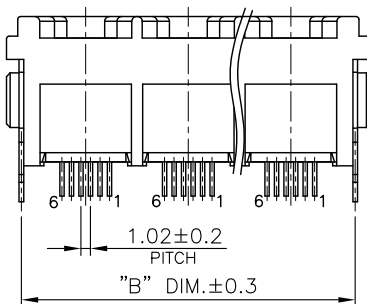
- 1.1 HOUSING: PBT, WITH GLASS FIBER, UL94V-0, STANDARD COLOR-GRAY.
- 1.2 INSERT HOUSING: PBT, WITH GLASS FIBER, UL94V-0, STANDARD COLOR-GRAY.
- 1.3 INSERT COVER: PBT, WITH GLASS FIBER, UL94V-0, STANDARD COLOR-GRAY.
- 1.4 CONTACTS: PHOSPHOR BRONZE.
- 1.5 METAL PEG: BRASS.

2. FINISH:

- 2.1 CONTACTS: GOLD PLATED ON CONTACT AREA, GOLD FLASH ON SOLDER TAIL, 1.27μm [50μ"] MIN. NICKEL UNDERPLATED OVERALL.
- 2.2 METAL PEG: 2.54μm [100μ"] MIN. TIN PLATED.



RECOMMENDED PCB LAYOUT  
PCB THICKNESS: 1.6mm  
TOLERANCE: ±0.05mm (TOP VIEW)



DIMENSION	NO. OF JACK							
	1	2	3	4	5	6	7	8
A	17.00	28.00	39.00	50.00	61.00	72.00	83.00	94.00
B	13.8	24.8	35.8	46.8	57.8	68.8	79.8	90.8
C		11.00	22.00	33.00	44.00	55.00	66.00	77.00

**MORETHANALL**  
PCB CONNECTORS  
Cable ASSEMBLIES

煜倫股份有限公司

www.morethanall.com

RoHS Compliant

DRAWING BY CY

CHECKED BY GENIUS

UNIT / mm SCALE 1:1

DATE

SIZE A4

TOLERANCES ARE

X, ±  
.X ± 0.25  
.XX ± 0.13  
.XXX ± 0.05  
ANG ±

PJECTION

照片框

ORDER INFORMATION

MJD15Ax-GE06ZIM-0606-LF

SERIES | 6P6C | LEADFREE  
2:2 PORTS | CLIP | INSERT MOLDING  
8:8 PORTS | 06u" GOLD | EAR | GRAY

DESCRIPTION: RJ11, TOP ENTRY, PCB GANDED JACK, FROM 2PORTS THRU 8PORTS