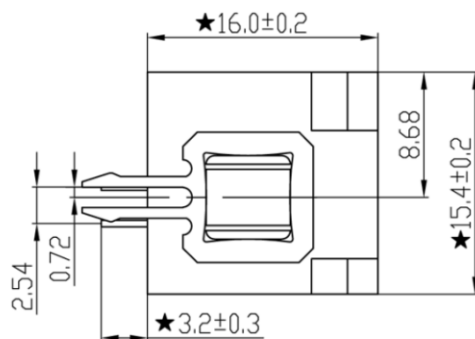
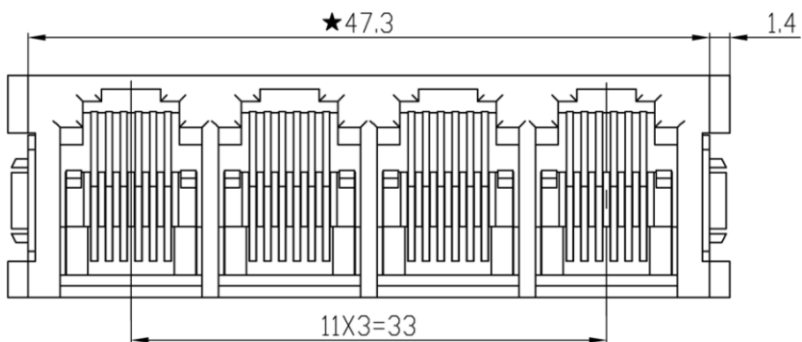


PC Board Layout



NOTES:

ELECTRICAL:

- |                          |                                    |
|--------------------------|------------------------------------|
| 1. VOLTAGE RATING        | : 125 VAC RMS.                     |
| 2. CURRENT RATING        | : 1.5 AMP.                         |
| 3. CONTACT RESISTANCE    | : 30 MILLIOHMS MAX.                |
| 4. INSULATION RESISTANCE | : 500 MEGOHMS MIN @ 500 VDC.       |
| 5. DIELECTRIC STRENGTH   | : 1000 VAC RMS 50Hz or 60Hz, 1MIN. |

MECHANICAL:

- |                              |  |
|------------------------------|--|
| 1. HOUSING & INSERT MATERIAL | : PBT UL94V-0.   |
| 2. CONTACT MATERIAL          | : DIAMETER 0.45MM PHOSPHOR BRONZE GOLD PLATING OVER NICKEL |
| 3. METAL PEG MATERIAL:       | : IRON/PHOSPHOR BRONZE T=0.4mm WITH TIN PLATED.            |
| 4. MATING/UNMATING FORCE     | : 2.2KG. F MAX.  |
| 5. RETENTION STRENGTH        | : 7.7KG. F MIN BETWEEN JACK AND PLUG.                      |
| 6. OPERATING LIFE            | : 600 CYCLES MIN.  |

ENVIRONMENTAL:

- |              |  |
|--------------|--|
| 1. STORAGE   | : -10°C ~ +40°C RELATIVE HUMIDITY<70%. |
| 2. OPERATION | : -40°C ~ +70°C.                       |

RoHS Compliant

TOLERANCES ARE

**MORETHANALL**  
PCB CONNECTORS  
Cable ASSEMBLIES

煜倫股份有限公司

www.morethanall.com

DRAWING BY CY

CHECKED BY GENIUS

UNIT / mm

SCALE 1 : 1

DATE

SIZE A4

X, ±  
.X ± 0.25  
.XX ± 0.20  
.XXX ± 0.10  
ANG ±

P PROJECTION

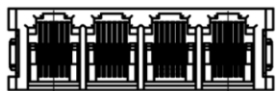
照片框

ORDER INFORMATION

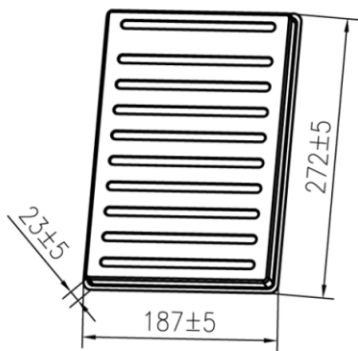
MJD15A4-GE01Z-0606-LF

SERIES | CLIP | 6P6C | LEADFREE  
GRAY | GOLD FLASH | EAR

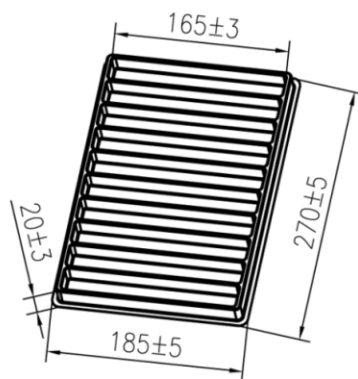
DESCRIPTION:



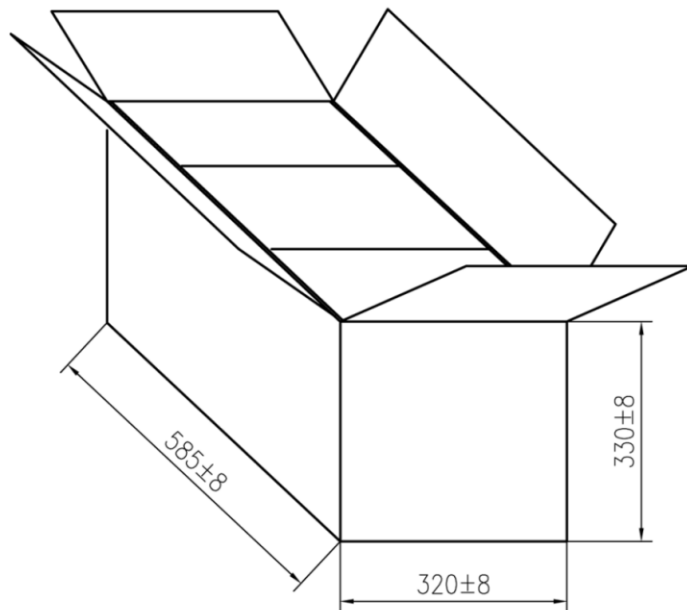
① 产品 (Product)



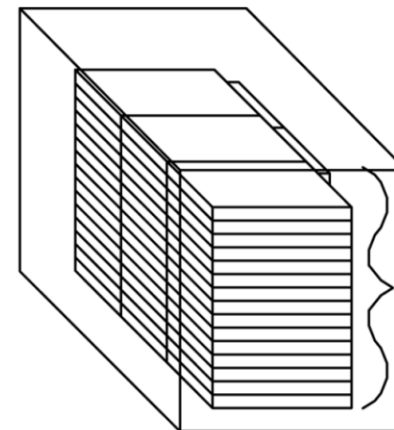
② 上盖 (Cover)



③ 底盖 (Base)



④



透视图 (Scenograph)

序号 (NO.)	名称 (Name)	型号规格 (Model) 长X宽X高 (MM) (LongXWideXHigh)	装箱规格 (Pack Specification)	
			Q' TY	
4	纸箱 (Cardboard box)	585x320x330	Q' TY	50盒/箱 (Tray/CTN)
3	底盖 (Base)	270x185x20		30PCS/盒 (Dish)
2	上盖 (Cover)	272x187x23	NW: 13.5 KGS	
1	产品 (Product)	49. 2X15. 4X16	GW: 16.5 KGS	

RoHS Compliant

TOLERANCES ARE

**MORETHANALL**  
PCB CONNECTORS  
Cable ASSEMBLIES  
**煜倫股份有限公司**

DRAWING BY CY

CHECKED BY GENIUS

UNIT / mm

SCALE 1 : 1

DATE

SIZE A4

X, ±  
.X ± 0.25  
.XX ± 0.20  
.XXX ± 0.10  
ANG ±

PPOJECTION

照片框

ORDER INFORMATION

MJD15A4-GE01Z-0606-LF

SERIES

GRAY

EAR

CLIP

GOLD FLASH

6P6C

LEADFREE

DESCRIPTION:

www.morethanall.com