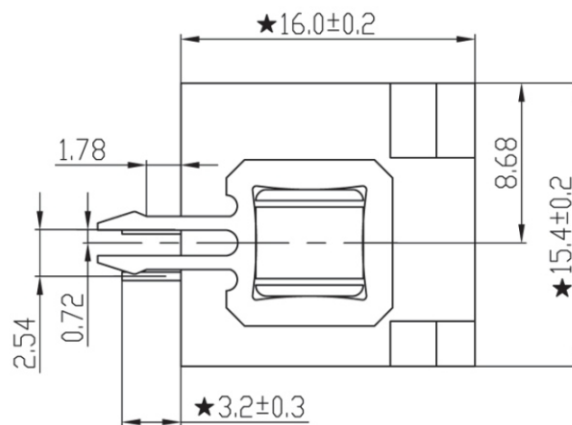
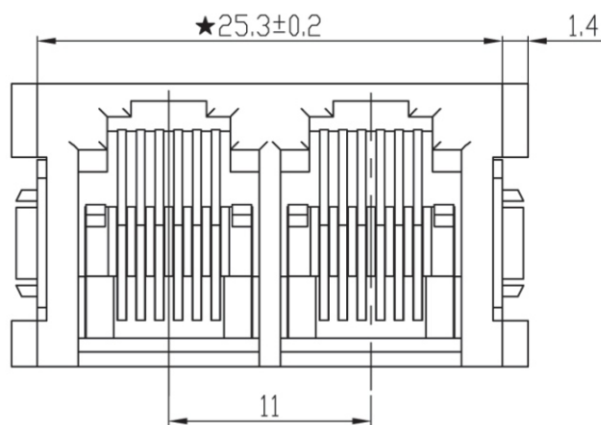


PC Board Layout



NOTES:

ELECTRICAL:

- 1. VOLTAGE RATING : 125 VAC RMS.
- 2. CURRENT RATING : 1.5 AMP.
- 3. CONTACT RESISTANCE : 30 MILLIOHMS MAX.
- 4. INSULATION RESISTANCE : 500 MEGOHMS MIN @ 500 VDC.
- 5. DIELECTRIC STRENGTH : 1000 VAC RMS 50Hz or 60Hz, 1MIN.

MECHANICAL:

- 1. HOUSING & INSERT MATERIAL : PBT UL94V-0.
- 2. CONTACT MATERIAL : DIAMETER 0.45MM PHOSPHOR BRONZE GOLD PLATING OVER NICKEL.
- 3. METAL PEG MATERIAL : IRON/PHOSPHOR BRONZE T=0.4mm WITH TIN PLATED.
- 4. MATING/UNMATING FORCE : 2.2KG. F MAX.
- 5. RETENTION STRENGTH : 7.7KG. F MIN BETWEEN JACK AND PLUG.
- 6. OPERATING LIFE : 600 CYCLES MIN.

ENVIRONMENTAL:

- 1. STORAGE : -10°C ~ +40°C RELATIVE HUMIDITY<70%.
- 2. OPERATION : -40°C ~ +70°C.

Remark:

- 1. Tolerances Unless Otherwise Specified  
.0±0.25 .00±0.20 .000±0.10
- 2. The mark with ★ is the key inspection dimension for QC

RoHS Compliant

TOLERANCES ARE

**MORETHANALL**  
PCB CONNECTORS  
Cable ASSEMBLIES

DRAWING BY CY

X, ±

CHECKED BY GENIUS

.X ± 0.25

UNIT / mm

SCALE 1 : 1

.XX ± 0.15

DATE

.XXX ± 0.05

ANG ±

SIZE A4

PPOJECTION

照片框

ORDER INFORMATION

MJD15A2-GE01Z-0606-LF

SERIES

CLIP

6P6C

LEADFREE

EAR

GOLD FLASH

GRAY

煜倫股份有限公司

www.morethanall.com

DESCRIPTION: