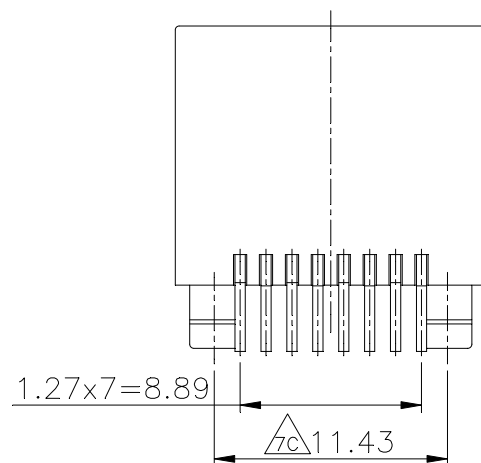
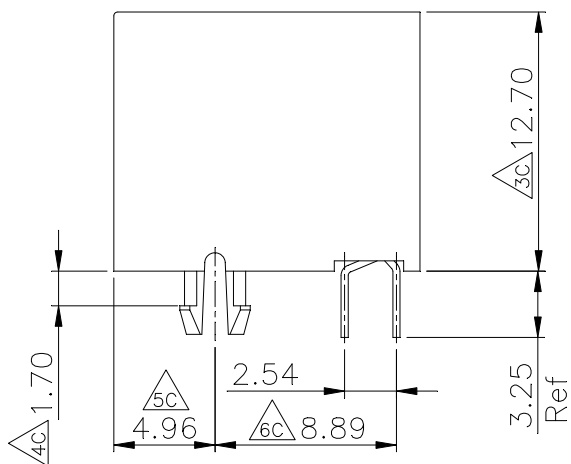


PCB LAYOUT/TOP VIEW



MATERIALS:

PLASTIC HOUSING: ENGINEERING THERMOPLASTIC
FLAMMABILITY RATING UL 94V-0.

CONTACTS: PHOSPHOR BRONZE

PLATING: GOLD PLATING OVER NICKEL IN CONTACT.

MATTE TIN PLATING OVER NICKEL IN SOLDER AREA.

ELECTRICAL:

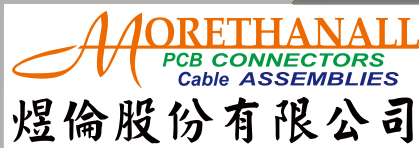
1. VOLTAGE RATING : 125 VAC RNS.
2. CURRENT RATING : 1.5 AMP.
3. CONTACT RESISTANCE : 40 MILLIOHMS MAX.
4. INSULATION RESISTANCE : 500 MEGOHMS MIN
500 VDC
5. DIELECTRIC STRENGTH : 1500 VAC to 60S

Environmental:

1. Storage Life : -40°C To +85°C
2. Operating : -40°C To +85°C
3. Wave Soldering Temperature: 240°C +5°C / 3Sec
4. Resistance to soldering heat : 265°C, 5secs

RoHS Compliant

TOLERANCES ARE



DRAWING BY CY

CHECKED BY GENIUS

UNIT / mm SCALE 1 : 1

DATE

SIZE A4

X. ±
.X ±
.XX ±
.XXX ±
ANG ±

P PROJECTION

照片框

ORDER INFORMATION

MJD12-KX06-0808-LF

SERIES 8P8C LEADFREE
06u" GOLD
NON EARS
BLACK

DESCRIPTION:

www.morethanall.com