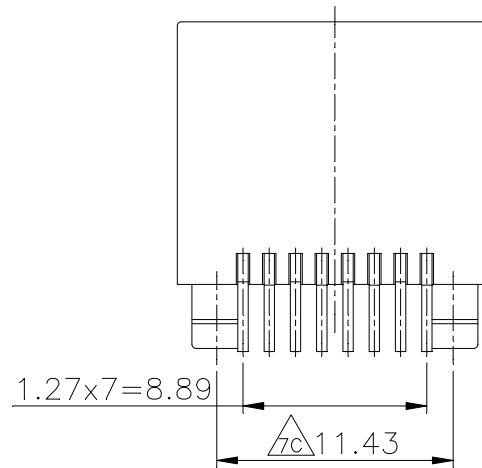
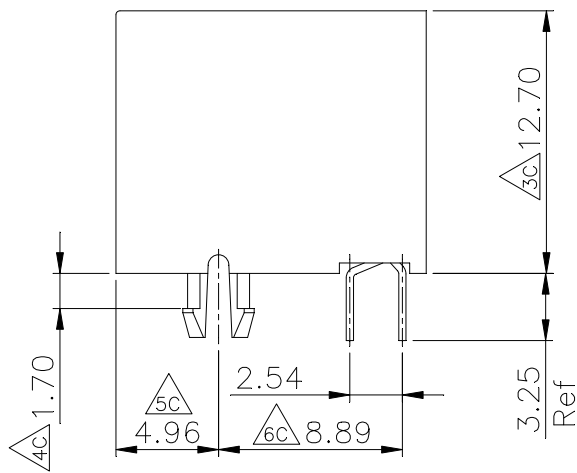


PCB LAYOUT/TOP VIEW



MATERIALS:
 PLASTIC HOUSING: ENGINEERING THERMOPLASTIC
 FLAMMABILITY RATING UL 94V-0.
 CONTACTS: PHOSPHOR BRONZE
 PLATING: GOLD PLATING OVER NICKEL IN CONTACT.
 MATTE TIN PLATING OVER NICKEL IN SOLDER AREA.
 亮錫變霧錫 (MATTE TIN)

RoHS Compliant

TOLERANCES ARE

MORETHANALL
 PCB CONNECTORS
 Cable ASSEMBLIES

DRAWING BY CY

X. ± 0.50

CHECKED BY GENIUS

.X ± 0.38

UNIT / mm

SCALE 1:1

.XX ± 0.25

DATE

.XXX ± 0.10

ANG ± 3°

照片框

ORDER INFORMATION

MJD12-KXxx-0808-LF

SERIES

LEADFREE

8P8C

01:G/F
 06:GOLD 6u"

BLACK

NON EAR

煜倫股份有限公司

www.morethanall.com

SIZE A4

PPOJECTION

DESCRIPTION: TOP ENTRY 8P8C PCB JACK