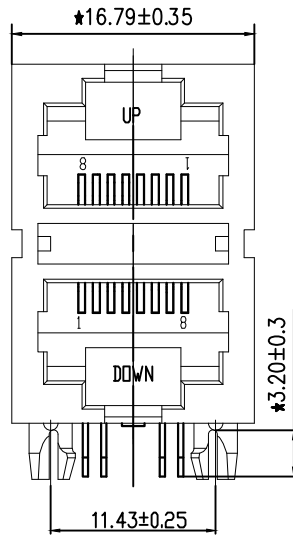
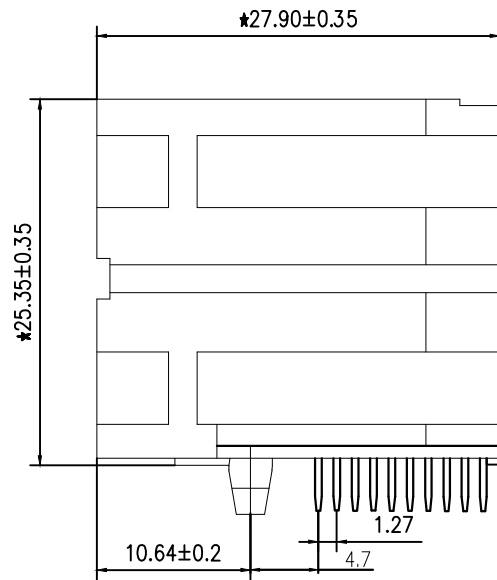
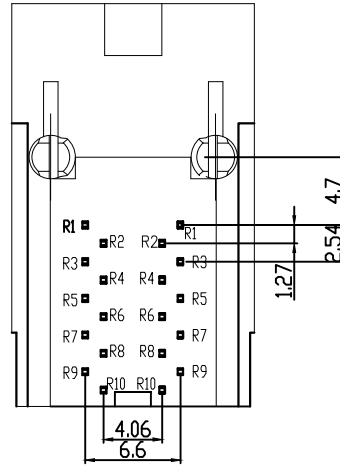


PCB BOARD LAYOUT



**MATERIAL:**  
 HOUSING : PA66,UL94V-0,BLACK.  
 TERMINALS BRACKET: PA66,UL94V-0,BLACK.  
 TERMINAL: PHOSPHOR BRONZE C5210,T=0.35MM,  
 6U" GOLD PLATING ON CONTACT AREA.

**MECHANICAL:**  
 DURABILITY : 750 CYCLES MIN.  
 MATING FORCE: 23N MAX.  
 OPERATING TEMPERATURE: -40°C~+85°C.  
 STORAGE TEMPERATURE: -40°C~+85°C.  
 ALL CRITICAL DIMENSIONS WITH "\*"

RoHS Compliant

TOLERANCES ARE

**MORETHANALL**  
 PCB CONNECTORS  
 Cable ASSEMBLIES

DRAWING BY CY

X.±

CHECKED BY GENIUS

.X±

UNIT / mm

SCALE 1 : 1

.XX±

DATE

.XXX±

ANG±

SIZE A4

PJECTION

照片框

ORDER INFORMATION

MJ25T001B1-KX06-0808-LF

SERIES

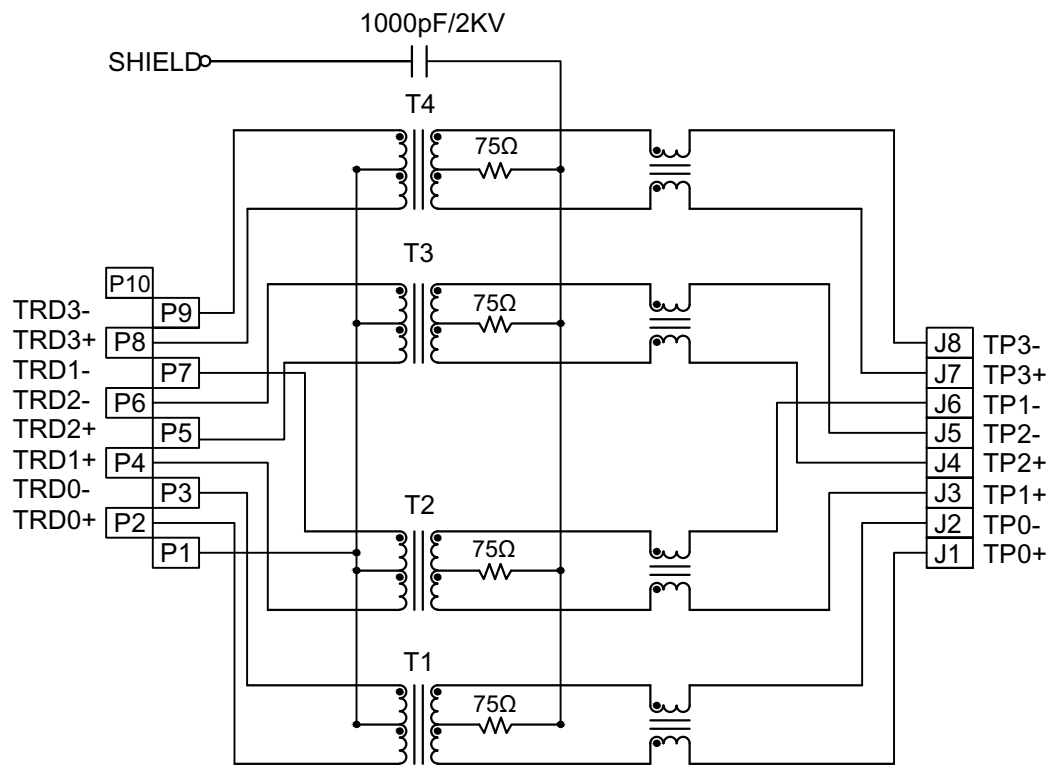
LEADFREE

8P8C  
 06u" GOLD  
 NON EAR  
 BLACK

煜倫股份有限公司

www.morethanall.com

DESCRIPTION:



1. Turn Ratio( $\pm 5\%$ ): 1CT:1CT
2. OCL(100KHz/0.1V@8mA): 350uH MIN.
3. Insertion Loss(dB MAX):  $-1.1\text{dB}$  (1-100MHz)
4. Return Loss(dB MIN):  $-18\text{dB}$ (1-30MHz),  
 $-14\text{dB}$ (30-60MHz),  
 $-12\text{dB}$ (60-80MHz),  
 $-10\text{dB}$ (80-100MHz)
5. Cross talk(dB MIN):  $-35\text{dB}$ (1-10MHz),  
 $-26\text{dB}$ (15-60MHz),  
 $-24\text{dB}$ (60-100MHz),
6. CMR(dB MIN):  $-40\text{dB}$ (1-60MHz),  
 $-30\text{dB}$  (60-100MHz),
7. HI-POT(Pri to Sec): 1500Vrms
8. Operating Temperature:  $-20^{\circ}\text{C}$  TO  $+85^{\circ}\text{C}$
9. RoHS compliance: YES

RoHS Compliant

TOLERANCES ARE

**MORETHANALL**  
PCB CONNECTORS  
Cable ASSEMBLIES

煜倫股份有限公司

www.morethanall.com

DRAWING BY CY

CHECKED BY GENIUS

UNIT / mm SCALE 1 : 1

DATE

SIZE A4

X,  $\pm$

.X,  $\pm$

.XX,  $\pm$

.XXX,  $\pm$

ANG,  $\pm$

P PROJECTION

照片框

ORDER INFORMATION

MJ25T001B1-KX06-0808-LF

SERIES

8P8C  
06u" GOLD  
NON EAR  
BLACK

LEADFREE

DESCRIPTION: