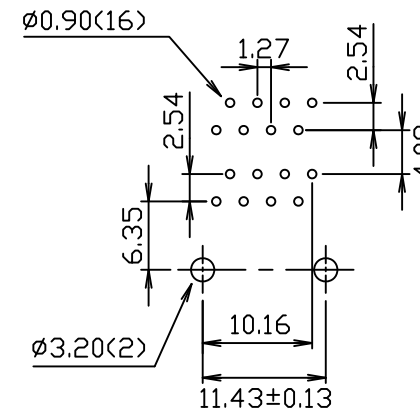
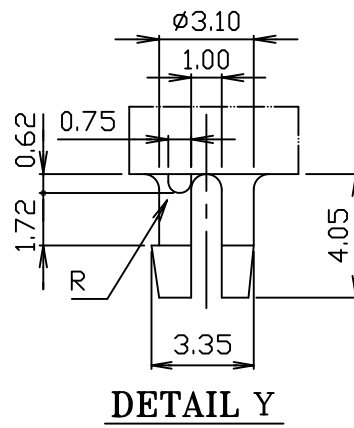
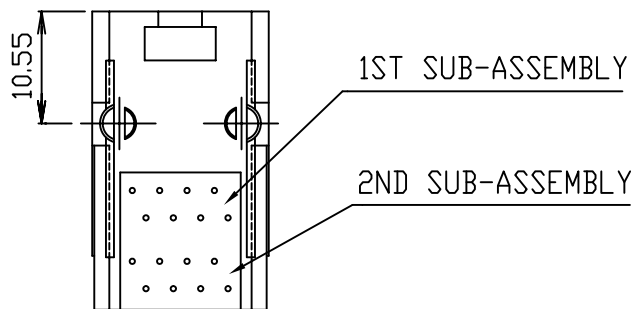


MATERIAL:  
 HOUSING-PBT POLYESTER UL-94V-0  
 MIXED GLASS FIBER,  
 STANDARD COLOR-BLACK  
 CONTACTS-0.35mm THICK PHOS-BRONZE  
 PLATED WITH HARD GOLD AND  
 TIN/LEAD IN SOLDER AREA.  
 CAVITY CONFIRMS TO FCC RULES AND REGULATIONS  
 PART 68,SUBPART F.



PCB LAYOUT

RoHS Compliant

TOLERANCES ARE

**MORETHANALL**  
 PCB CONNECTORS  
 Cable ASSEMBLIES

DRAWING BY CY

X. ±

CHECKED BY GENIUS

.X ± 0.25

UNIT / mm

SCALE 1 : 1

.XX ± 0.13

DATE

.XXX ± 0.05

ANG ±

照片框

ORDER INFORMATION

MJ24B1-KXxx-0808-LF

SERIES

LEADFREE

8P8C

03:03u" GOLD

06:06u" GOLD

10:10u" GOLD

15:15u" GOLD

30:30u" GOLD

BLACK

NON EAR

www.morethanall.com

SIZE A4

P PROJECTION

DESCRIPTION: 2X1 (2PORTS) 8POSITIONS RIGHT ANGLE PCB JACK