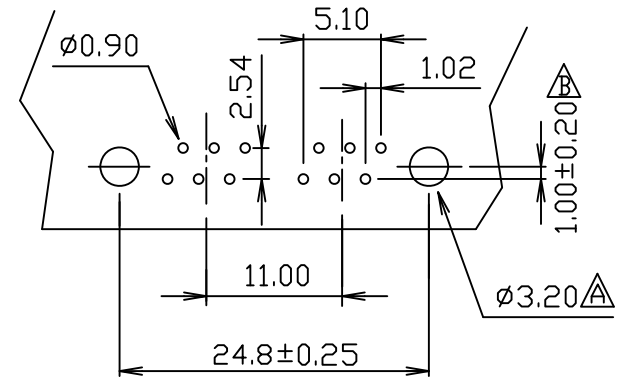
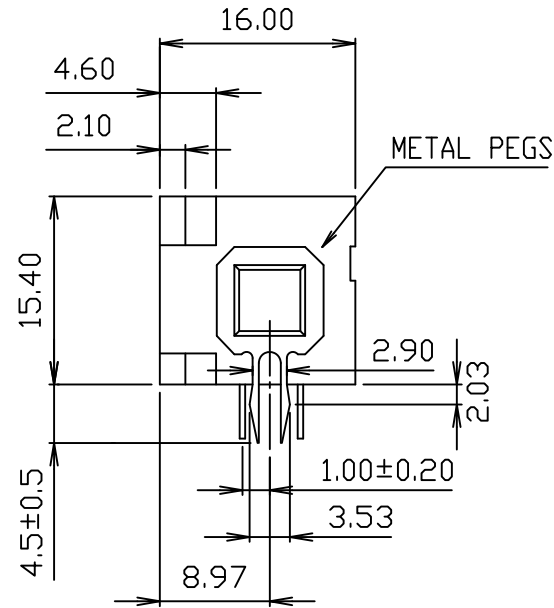
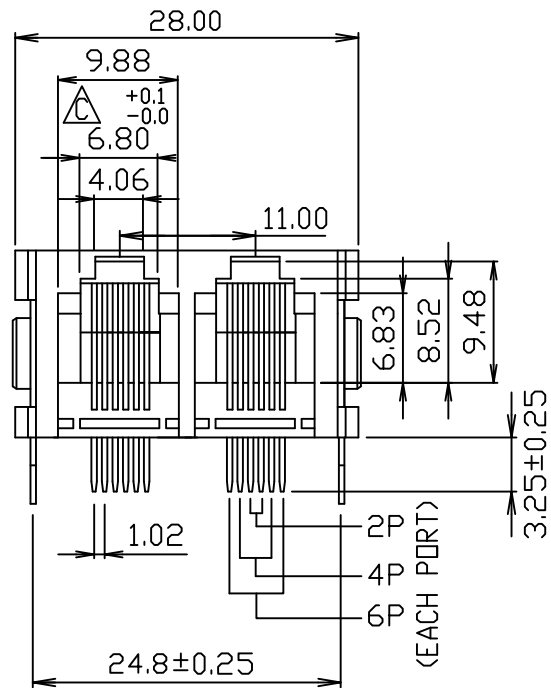
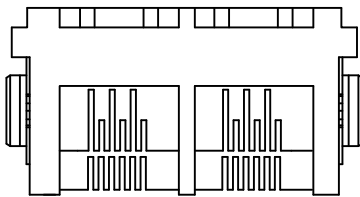


MATERIAL: HOUSING-PBT POLYESTER UL94V-0  
 MIXED GLASS FIBER.  
 STANDARD COLOR-BLACK  
 CONTACTS-0.45mm DIAMETER PHOS-BRONZE  
 PLATED WITH HARD GOLD.  
 METAL PEG-0.50mm THICK PHOS-BRONZE  
 PLATED WITH TIN/LEAD.  
 CAVITY CONFIRMS TO FCC RULES AND REGULATIONS  
 PART 68,SUBPART F.



PC Board Layout



RoHS Compliant

TOLERANCES ARE

**MORETHANALL**  
 PCB CONNECTORS  
 Cable ASSEMBLIES

DRAWING BY CY

CHECKED BY GENIUS

UNIT / mm

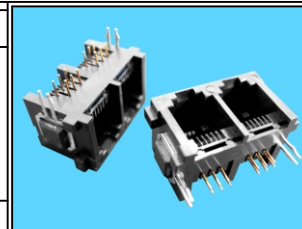
SCALE 1 : 1

DATE

SIZE A4

PJECTION

X, ±  
 .X ± 0.25  
 .XX ± 0.13  
 .XXX ± 0.05  
 ANG ±



ORDER INFORMATION

MJ15A2-KE06Z-0606-LF

SERIES | | | 6P6C LEADFREE  
 | | | CLIP  
 | | | 06u" GOLD  
 | | | EAR  
 | | | BLACK

DESCRIPTION: 6POSITION SIDE ENTRY METEL PEGS  
 PCB GANG JACK FROM 2 PORTS THRU 8 PORTS

煜倫股份有限公司

www.morethanall.com