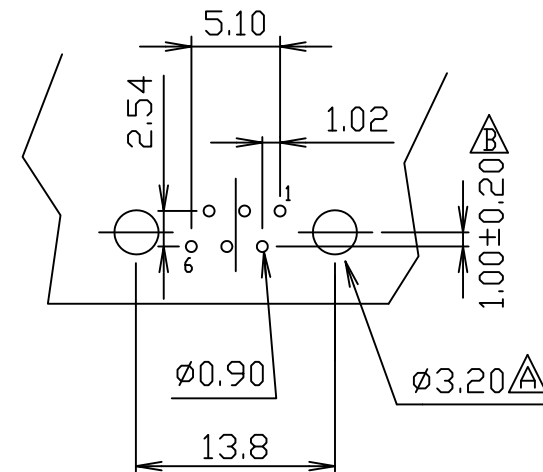


- MATERIAL:**
- HOUSING-PBT POLYESTER UL94V-0
MIXED GLASS FIBER,
STANDARD COLOR-GRAY.
 - CONTACTS-0.45mm DIAMETER PHOS-BRONZE
PLATED WITH HARD GOLD.
 - METAL PEG-0.50mm THICK PHOS-BRONZE
PLATED WITH TIN.
- CAVITY CONFIRMS TO FCC RULES AND REGULATIONS
PART 68,SUBPART F.



PC Board Layout
Ref.

RoHS Compliant

TOLERANCES ARE

MORETHANALL
PCB CONNECTORS
Cable ASSEMBLIES

DRAWING BY CY

X, ±

CHECKED BY GENIUS

.X ± 0.25

UNIT / mm

SCALE 1:1

.XX ± 0.13

DATE

.XXX ± 0.05

ANG ±

照片框

ORDER INFORMATION

MJ15A1-GE06Z-0606-LF

SERIES

CLIP

LEADFREE

6P6C

06u" GOLD

EAR

GRAY

煜倫股份有限公司

www.morethanall.com

SIZE A4

P PROJECTION

DESCRIPTION: 6POSITION SIDE ENTRY METAL PEGS PCB
GANG JACK FROM 2 PORTS THRU 8 PORTS