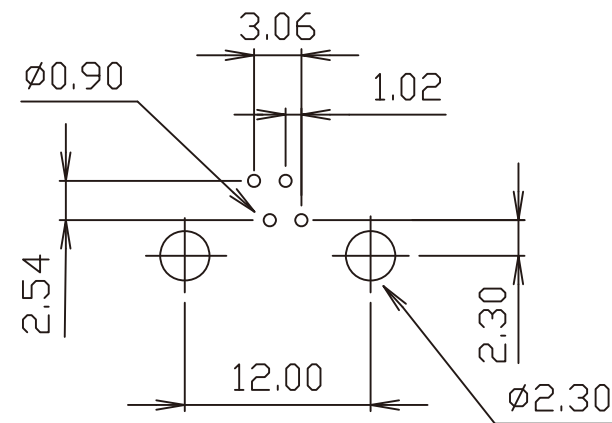


MATERIAL: HOUSING-PBT POLYESTER UL94V-0  
 MIXED GLASS FIBER,  
 STANDARD COLOR-GRAY.  
 CONTACTS-0.45mm DIAMETER PHOS-BRONZE  
 PLATED WITH HARH GOLD.  
 CAVITY CONFIRMS TO FCC RULES AND REGULATIONS



PC Board Layout  
 Ref.

RoHS Compliant

TOLERANCES ARE

**MORETHANALL**  
 PCB CONNECTORS  
 Cable ASSEMBLIES

煜倫股份有限公司

www.morethanall.com

DRAWING BY CY

CHECKED BY GENIUS

UNIT/mm

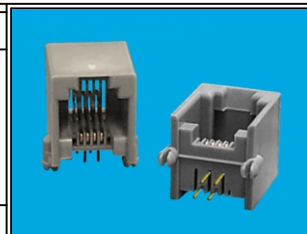
SCALE 1:1

DATE

SIZE A4

PJECTION

X. ±  
 .X ± 0.25  
 .XX ± 0.13  
 .XXX ± 0.05  
 ANG ±



ORDER INFORMATION

MJ14S-GX06-0604-LF

SERIES 6P4C LEADFREE  
 06u" GOLD  
 NON EAR  
 GRAY

DESCRIPTION: 6POSITION SHIELDLESS FLANGELESS  
 MINI LOW PROFILE, SIDE ENTRY PCB JACK