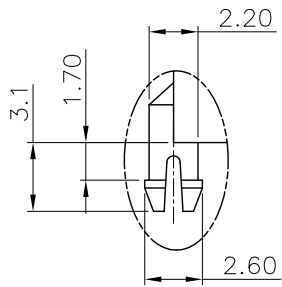


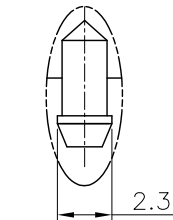
NOTE:

CAVITY CONFIRMS TO FCC RULES AND REGULATIONS PART 68, SUBPART F.

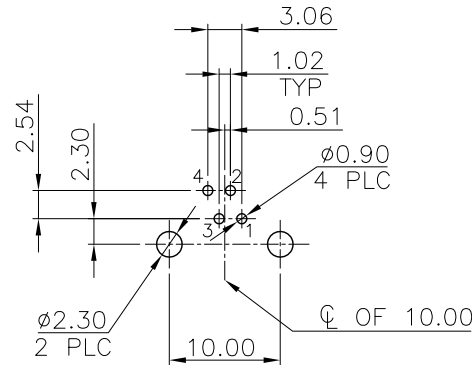
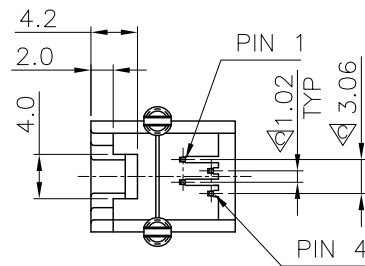
1. MATERIAL:  
HOUSING: PBT OR PA46 OR PA9T, WITH GLASS FIBER, UL 94V-0, STANDARD COLOR-GRAY.  
CONTACTS: PHOSPHOR BRONZE.
2. FINISH:  
CONTACTS: GOLD PLATED ON ENTIRE CONTACT, 1.27µm [50µ"] MIN. NICKEL UNDERPLATED ALL OVER.
3. "▽" SHOWS QIP INSPECTION POINT.



DETAIL B  
(SCALE 2:1)



DETAIL C  
(SCALE 2:1)



RECOMMENDED PCB LAYOUT

RECOMMENDED PCB THICKNESS: 1.6mm  
TOLERANCE: ±0.05 (TOP VIEW)

RoHS Compliant

**MORETHANALL**  
PCB CONNECTORS  
Cable ASSEMBLIES

煜倫股份有限公司

www.morethanall.com

DRAWING BY CY

CHECKED BY GENIUS

UNIT/mm SCALE 1:1

DATE

SIZE A4

TOLERANCES ARE

X. ±  
.X ± 0.25  
.XX ± 0.13  
.XXX ± 0.05  
ANG ±

PJECTION

照片框

ORDER INFORMATION

MJ14S-GX03-0404-LF

SERIES LEADFREE

4P4C  
GRAY 03u" GOLD  
NON EAR

DESCRIPTION: 4POSITION FLANGELESS  
MINI LOW PROFILE, SIDE ENTRY PCB JACK