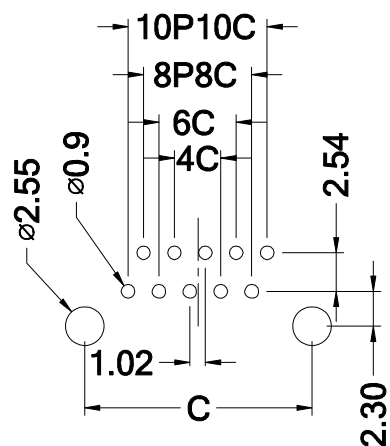


ELECTRICAL

Voltage Rating : 125 V
 Current Rating : 1.5 A
 Contact Resistance : 30 milliohms max.
 Insulation Resistance : 500 megaohms min.
 Dielectric Withstanding Voltage : 1000 V

MATERIAL & FINISH

Housing : PBT. UL94V-0, grey
 Insert: PBT. UL94V-0, 6P&4P-black, 8P&10P-gray
 Conductor:
 [Round pin: 0.45 mm diameter phosphor bronze,
 Plating: Gold plated over nickel.
 or
 [Stamping pin 0.35 × 0.42 mm phosphor bronze,
 Plating: Gold plated over nickel on contact area,
 Tin plated over nickel on solder area.
 Temperature: -40°C to 70°C
 Durability: 750 cycles min.



PCB LAYOUT / TOP VIEW

position	contact	A	B	C	D
4P	4C	10.00	7.85	10.00	12.00
(6P)4P	4C	12.20	7.85	12.00	14.20
6P	2C/4C/6C	12.20	9.90	12.00	14.20
8P	8C	15.00	11.85	15.00	16.90
10P	10C	15.00	11.85	15.00	16.90

UNIT: m / m TOL.: +/- 0.15

RoHS Compliant

TOLERANCES ARE

MORETHANALL
 PCB CONNECTORS
 Cable ASSEMBLIES

煜倫股份有限公司

www.morethanall.com

DRAWING BY CY

CHECKED BY GENIUS

UNIT / mm SCALE 1 : 1

DATE

SIZE A4

X. ±
 .X ±
 .XX ±
 .XXX ±
 ANG ±

PJECTION

照片框

ORDER INFORMATION

MJ14S-GE06-xxxx-LF

SERIES

GRAY

EAR

LEADFREE

0404:4P4C
 06xx:6P2C/6P4C/6P6C
 0808:8P8C
 1010:10P10C
 06u"GOLD

DESCRIPTION: