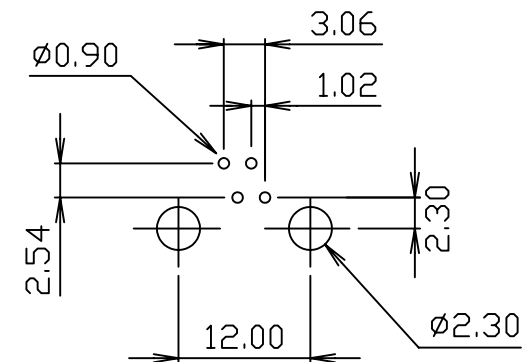


MATERIALS:
 • HOUSING-PBT POLYESTER UL94V-0
 MIXED GLASS FIBER,
 STANDARD COLOR-BLACK
 • CONTACTS-0.45mm DIA. ROUND PHOS-BRONZE
 PLATED WITH HARD GOLD.
 CAVITY CONFIRMS TO FCC RULES AND REGULATIONS



PC Board Layout

RoHS Compliant

TOLERANCES ARE

MORETHANALL
 PCB CONNECTORS
 Cable ASSEMBLIES

煜倫股份有限公司

www.morethanall.com

DRAWING BY CY

CHECKED BY GENIUS

UNIT / mm SCALE 1 : 1

DATE

SIZE A4

X, ±
 .X ± 0.25
 .XX ± 0.13
 .XXX ± 0.05
 ANG ±

P PROJECTION

照片框

ORDER INFORMATION

MJ14L-KE06-0404-LF

SERIES 4P4C LEADFREE
 06u" GOLD
 EAR BLACK

DESCRIPTION: 6*4 POSITION LOW PROFILE SIDE ENTRY PCB JACK