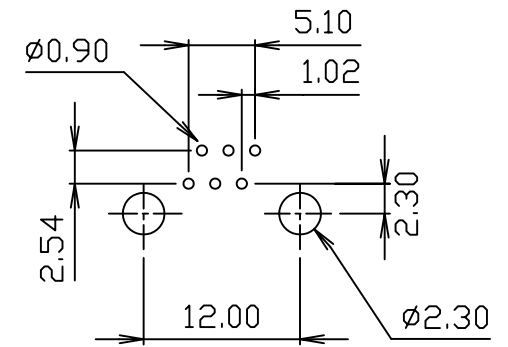


MATERIALS:

- HOUSING-PBT POLYESTER UL94V-0 MIXED GLASS FIBER. STANDARD COLOR-BLACK
- CONTACTS-0.45mm DIA. ROUND PHOS-BRONZE PLATED WITH HARD GOLD.

CAVITY CONFIRMS TO FCC RULES AND REGULATIONS



PC Board Layout

RoHS Compliant

TOLERANCES ARE

MORETHANALL
PCB CONNECTORS
Cable ASSEMBLIES

煜倫股份有限公司

www.morethanall.com

DRAWING BY CY

CHECKED BY GENIUS

UNIT / mm SCALE 1 : 1

DATE

SIZE A4

X, \pm
.X \pm 0.25
.XX \pm 0.13
.XXX \pm 0.05
ANG \pm

P PROJECTION

照片框

ORDER INFORMATION

MJ14L-KE03-0606-LF

SERIES 6P6C LEADFREE
03u" GOLD
EAR BLACK

DESCRIPTION: 6POSITION LOW PROFILE SIDE ENTRY PCB JACK