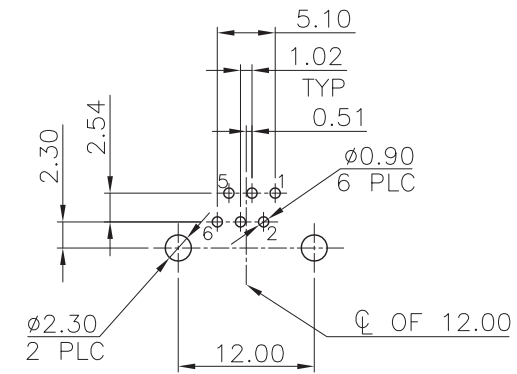
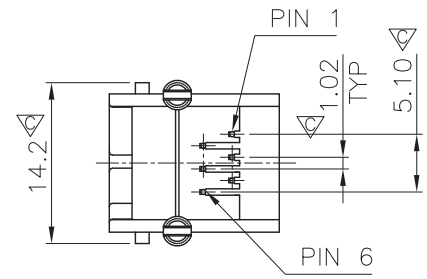
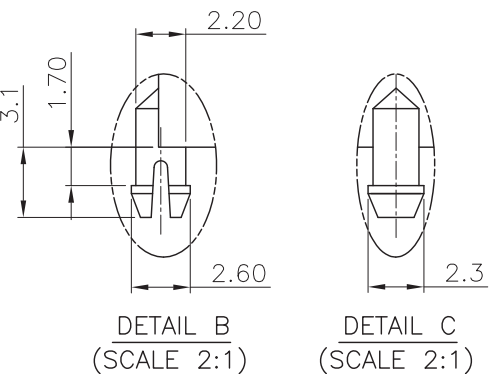


NOTE:
 CAVITY CONFIRMS TO FCC RULES AND REGULATIONS PART 68, SUBPART F.

1. MATERIAL:
 HOUSING: PBT OR PA46, WITH GLASS FIBER,
 UL 94V-0, STANDARD COLOR-GRAY.
 CONTACTS: PHOSPHOR BRONZE.
2. FINISH:
 CONTACTS: GOLD PLATED ON ENTIRE CONTACT,
 1.27μm [50μ"] MIN. NICKEL UNDERPLATED
 ALL OVER.
3. "▽" SHOWS QIP INSPECTION POINT.



RECOMMENDED PCB LAYOUT
 RECOMMENDED PCB THICKNESS: 1.6mm
 TOLERANCE: ±0.05 (TOP VIEW)

RoHS Compliant

TOLERANCES ARE

MORETHANALL
 PCB CONNECTORS
 Cable ASSEMBLIES
 焯倫股份有限公司
 www.morethanall.com

DRAWING BY CY		X. ± .X ± 0.25 .XX ± 0.13 .XXX ± 0.05 ANG ±
CHECKED BY GENIUS		
UNIT / mm	SCALE 1 : 1	
DATE		
SIZE A4	P PROJECTION	



ORDER INFORMATION

MJ14L-GE06-0606D-LF
 SERIES | LEADFREE
 | 6P6C D TYPE
 | 06u" GOLD
 EAR
 GRAY

DESCRIPTION: 6 POSITION, LOW PROFILE, OFF-CENTER, SIDE ENTRY PCB JACK