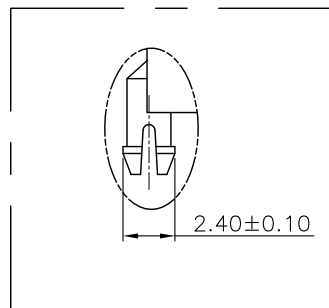


RECOMMENDED PCB LAYOUT
RECOMMENDED PCB THICKNESS: 1.6mm
TOLERANCE: ±0.05 (TOP VIEW)



NOTE:

CAVITY CONFIRMS TO FCC RULES AND REGULATIONS PART 68, SUBPART F.

1. MATERIAL:

HOUSING: PBT OR PA46, WITH GLASS FIBER,
UL 94V-0, STANDARD COLOR-GRAY.
CONTACTS: PHOSPHOR BRONZE.

2. FINISH:

CONTACTS: GOLD PLATED ON ENTIRE CONTACT,
1.27µm [50µ"] MIN. NICKEL UNDERPLATED
ALL OVER.

3. "▽" SHOWS QIP INSPECTION POINT.

RoHS Compliant

TOLERANCES ARE

MORETHANALL
PCB CONNECTORS
Cable ASSEMBLIES

DRAWING BY CY

CHECKED BY GENIUS

UNIT / mm SCALE 1:1

DATE

SIZE A4

0 PLC ± -
1 PLC ± 0.25
2 PLC ± 0.13
3 PLC ± 0.05
ANGLES ± -

PJECTION

照片框

ORDER INFORMATION

MJ14L-GE06-0606-LF

SERIES | | | LEADFREE
| | | 6P6C
| | | 06u" GOLD
| | | EAR
| | | GRAY

DESCRIPTION: 6POSITION, LOW PROFILE, SIDE ENTRY PCB JACK

煜倫股份有限公司

www.morethanall.com