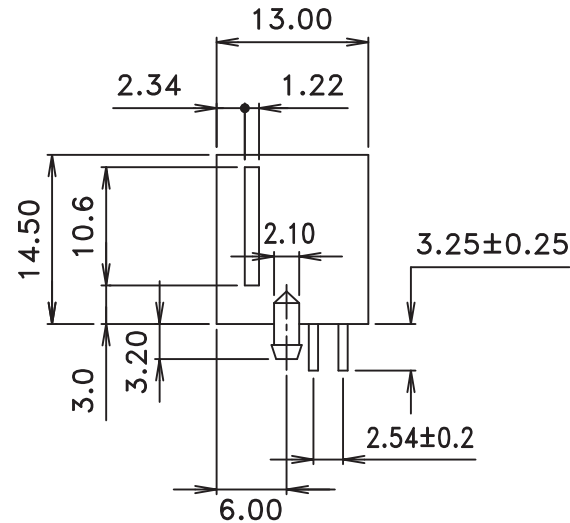
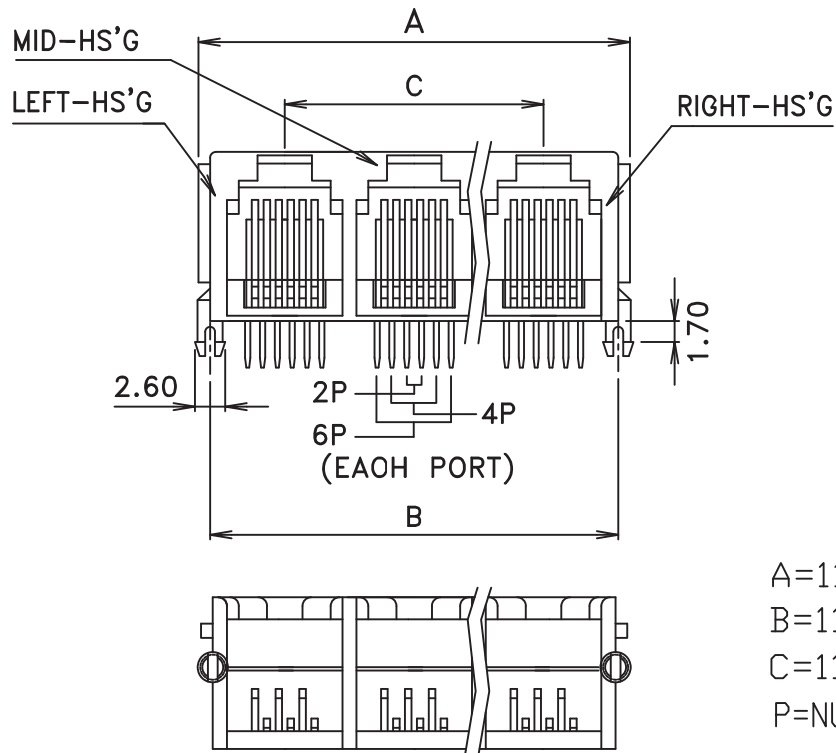
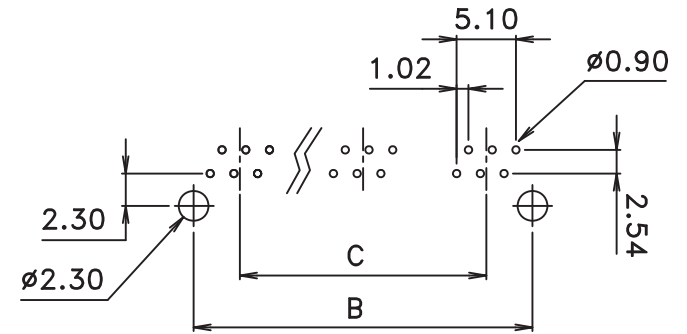


MATERIAL: HOUSING-PBT POLYESTER UL94V-0
 MIXED GLASS FIBER.
 STANDARD COLOR-GRAY.
 CONTACTS-0.45mm DIAMETER PHOS-BRONZE
 PLATED WITH HARD GOLD.
 CAVITY CONFORMS TO FCC RULES AND REGULATIONS
 PART 68,SUBPART F.



$A=11.65(m/m)XP+2.50(m/m)$
 $B=11.65(m/m)XP+0.5(m/m)$
 $C=11.65(m/m)X(P-1)$
 P=NUMBER OF PORTS



PC Board Layout

RoHS Compliant

TOLERANCES ARE

MORETHANALL
 PCB CONNECTORS
 Cable ASSEMBLIES

煜倫股份有限公司

www.morethanall.com

DRAWING BY CY

CHECKED BY GENIUS

UNIT / mm

SCALE 1 : 1

DATE

SIZE A4

PJECTION

X, ±
 .X ± 0.25
 .XX ± 0.13
 .XXX ± 0.05
 ANG ± 1°

照片框

ORDER INFORMATION

MJ14Ax-GE06-0606-LF

SERIES

EAR

GRAY

2:2 PORTS

⋮

6P6C

06u" GOLD

LEADFREE

DESCRIPTION: 6 POSITION GANGED MINI LOW PROFILE SIDE ENTRY PCB JACK FROM 2PORTS UP