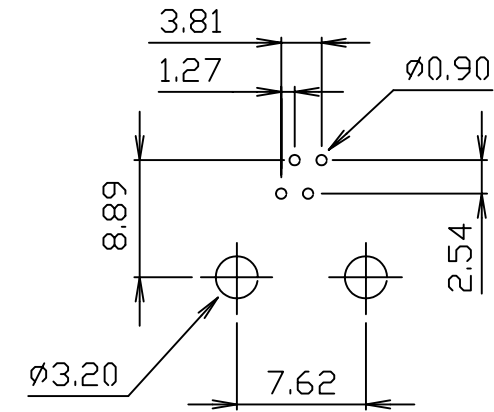
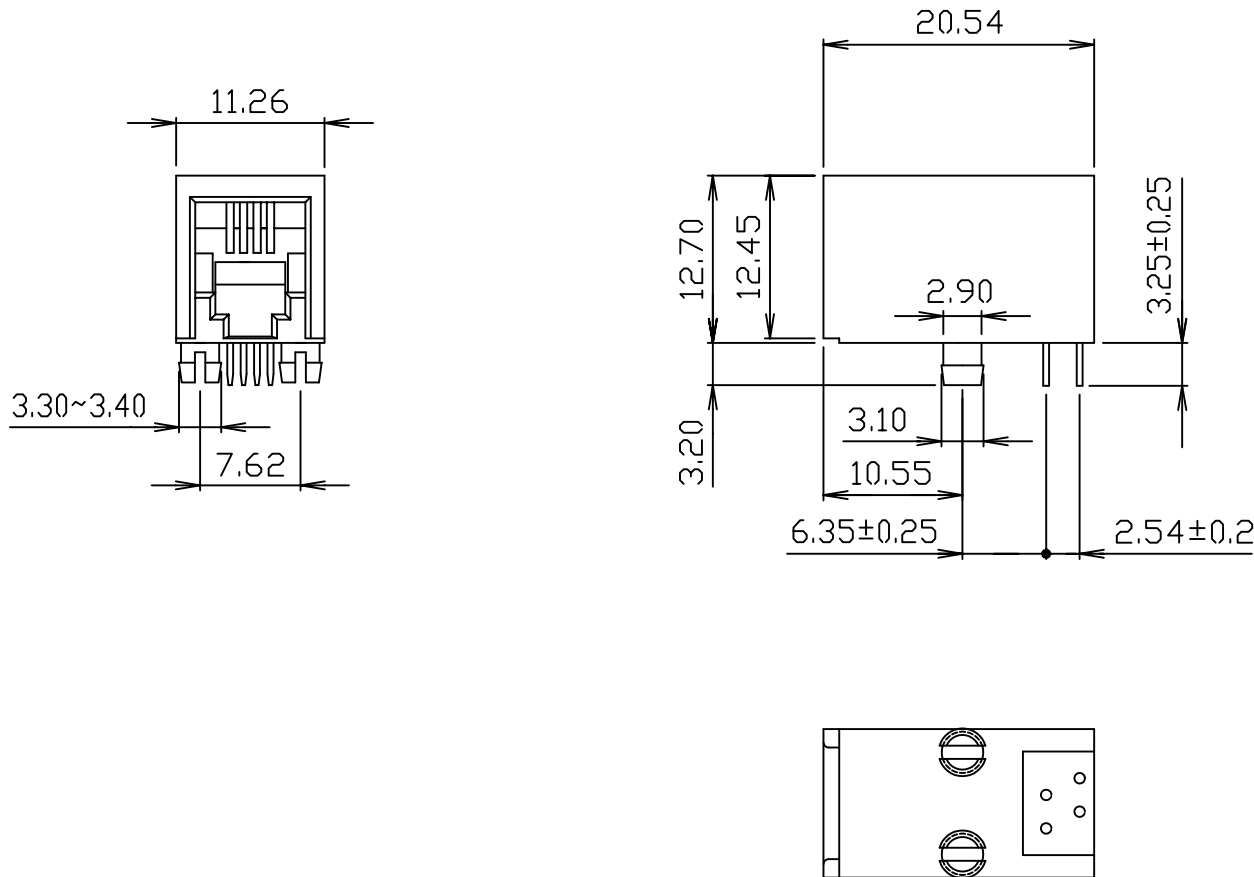


MATERIALS:

- HOUSING-PBT POLYESTER UL94V-0  
MIXED GLASS FIBER,  
STANDARD COLOR-BLACK
- CONTACTS-0.45mm DIA. ROUND PHOS-BRONZE  
PLATED WITH HARD GOLD.

CAVITY CONFIRMS TO FCC RULES AND REGULATIONS  
PART 68,SUBPART F.



PC Board Layout

RoHS Compliant

TOLERANCES ARE

**MORETHANALL**  
PCB CONNECTORS  
Cable ASSEMBLIES

煜倫股份有限公司

www.morethanall.com

DRAWING BY CY

CHECKED BY GENIUS

UNIT / mm SCALE 1 : 1

DATE

SIZE A4

X, ±  
.X ±  
.XX ±  
.XXX ±  
ANG ±

P PROJECTION

照片框

ORDER INFORMATION

MJ12L-KX06-0404-LF

SERIES 4P4C LEADFREE  
06u" GOLD  
NON EAR  
BLACK

DESCRIPTION: 4POSITION SIDE ENTRY PCB JACK