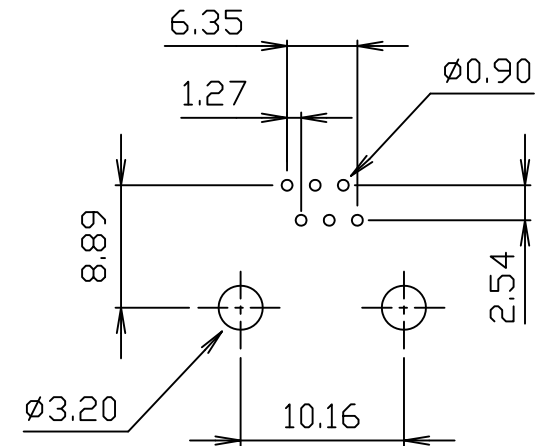


MATERIALS:

- HOUSING-PBT POLYESTER UL94V-0 MIXED GLASS FIBER. STANDARD COLOR-BLACK
- CONTACTS-0.45mm DIA. ROUND PHOS-BRONZE PLATED WITH HARD GOLD.

CAVITY CONFIRMS TO FCC RULES AND REGULATIONS PART 68,SUBPART F.



PC Board Layout

**MORETHANALL**  
PCB CONNECTORS  
Cable ASSEMBLIES

煜倫股份有限公司

www.morethanall.com

RoHS Compliant

DRAWING BY CY

CHECKED BY GENIUS

UNIT / mm SCALE 1 : 1

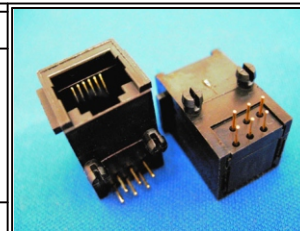
DATE

SIZE A4

TOLERANCES ARE

X ±  
.X ± 0.25  
.XX ± 0.13  
.XXX ± 0.05  
ANG ±

PJECTION



ORDER INFORMATION

MJ12L-KE06-0606-LF

SERIES LEADFREE  
6P6C  
06u" GOLD  
EAR  
BLACK

DESCRIPTION: 6POSITION SIDE ENTRY PCB JACK