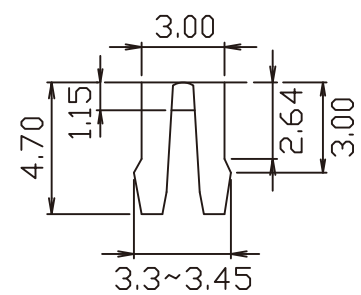
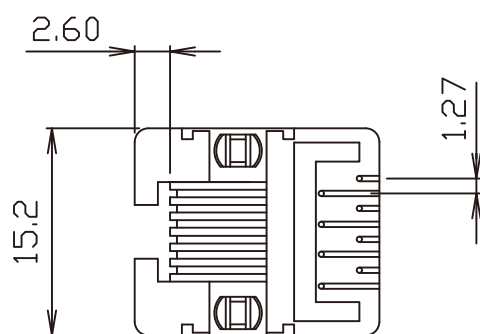
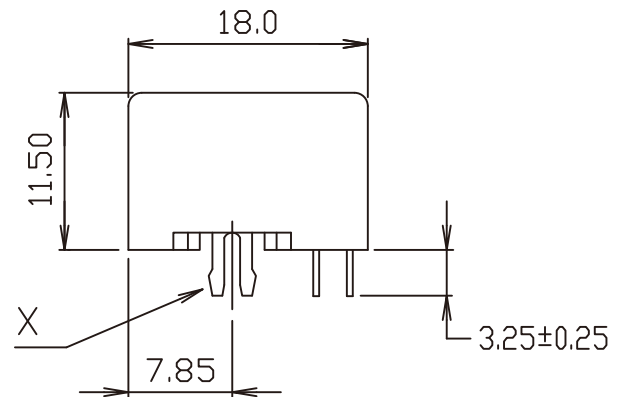
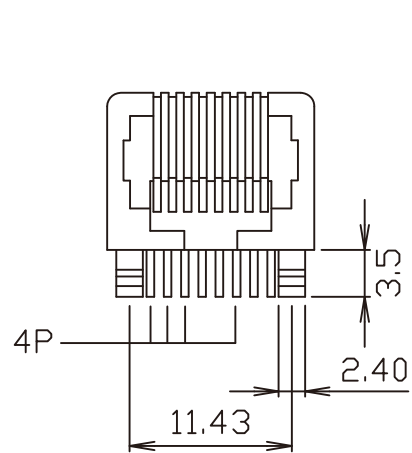
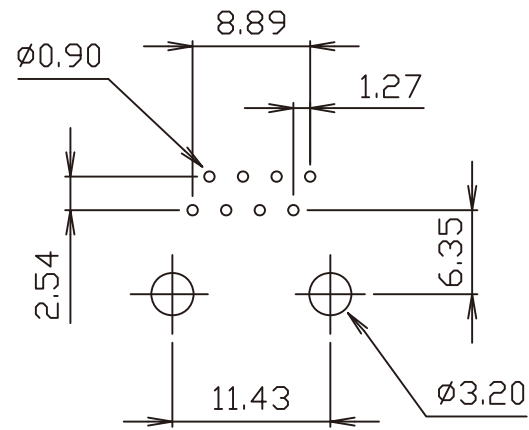


MATERIAL: HOUSING-PBT POLYESTER UL94V-0  
 MIXED GLASS FIBER.  
 STANDARD COLOR-BLACK  
 CONTACTS-0.45mm DIAMETER PHOS-BRONZE  
 PLATED WITH HARD GOLD.  
 CAVITY CONFIRMS TO FCC RULES AND REGULATIONS  
 PART 68,SUBPART F.



**DETAIL X**



PC Board Layout



煜倫股份有限公司

www.morethanall.com

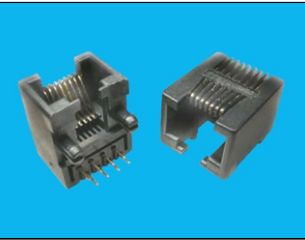
**RoHS Compliant**

DRAWING BY CY  
 CHECKED BY GENIUS  
 UNIT/mm SCALE 1:1  
 DATE  
 SIZE A4

TOLERANCES ARE

X. ±  
 .X ± 0.25  
 .XX ± 0.13  
 .XXX ± 0.05  
 ANG ±

P PROJECTION



**ORDER INFORMATION**

MJ11-KX06-0808-LF  
 SERIES 8P8C LEADFREE  
 06u" GOLD  
 NON EAR  
 BLACK

DESCRIPTION: 8 POSITION SIDE ENTRY VERY LOW PROFILE, PCB JACK