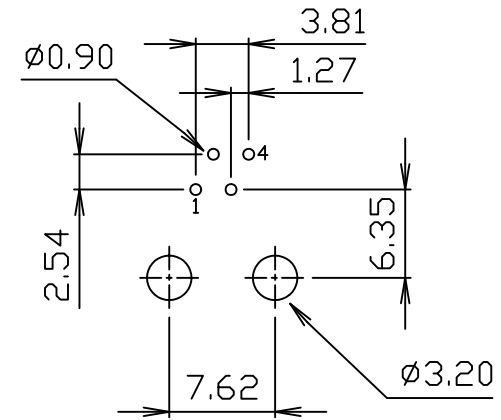


**DETAIL X**

**MATERIAL:**

- HOUSING-PBT POLYESTER UL94V-0  
MIXED GLASS FIBER.  
STANDARD COLOR-BLACK
- CONTACTS-0.45mm DIAMETER PHOS-BRONZE  
PLATED WITH HARD GOLD.

CAVITY CONFIRMS TO FCC RULES AND REGULATIONS  
PART 68,SUBPART F.



PC Board Layout  
Ref.

**RoHS Compliant**

TOLERANCES ARE

**MORETHANALL**  
PCB CONNECTORS  
Cable ASSEMBLIES

煜倫股份有限公司

www.morethanall.com

DRAWING BY CY

CHECKED BY GENIUS

UNIT / mm

SCALE 1 : 1

DATE

SIZE A4

X, ±  
.X ± 0.25  
.XX ± 0.13  
.XXX ± 0.05  
ANG ±

P PROJECTION

照片框

**ORDER INFORMATION**

MJ11-KX03-0404-LF  
SERIES 4P4C LEADFREE  
03u" GOLD  
NON POST  
BLACK

DESCRIPTION: 4 POSITION, SIDE ENTRY, VERY LOW PROFILE, PCB JACK