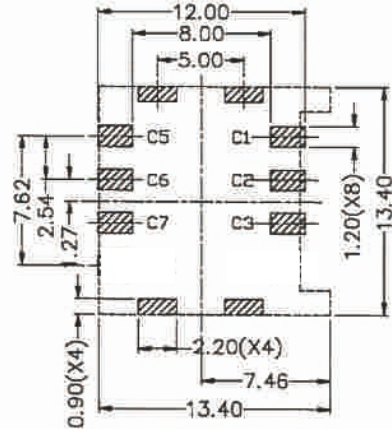
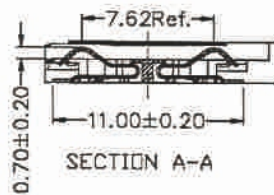
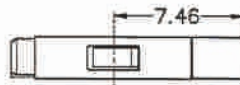
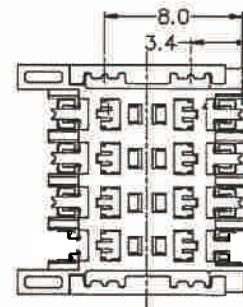
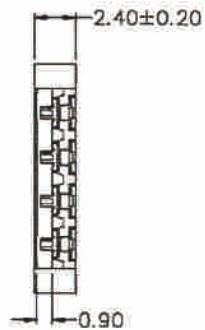
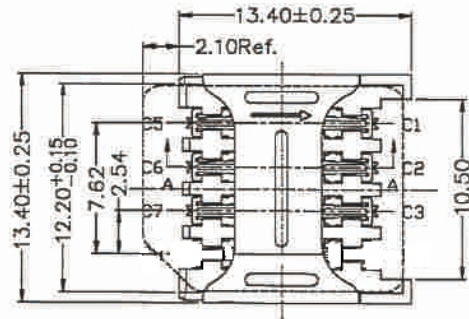


Signal interface connections for

Contact No	Assignment	Description
C1	Vcc	Power Voltage
C2	RST	Reset Signal
C3	CLK	Clocking signal
C4	RFU	Reserve for feature use
C5	GND	Power and Signal Ground
C6	Vpp	Programming Voltage



RECOMMENDED P.C.B LAYOUT  
COMPONENT SIDE(TOLERANCE ±0.05)

TECHNICAL CHARACTERISTICS

- General Characteristics  
Dimensions: 13.40x13.40x2.40H mm  
Weight: Approx. 0.5±0.1g  
Durability: 5,000 cycles min.
- Electrical Characteristics  
Contact resistance: 50 mΩ typical, 100 mΩ max.  
Insulation resistance: >1000 megaohms /500 VDC
- Solderability  
Vapor phase: 215°C, 30 sec. MAX.  
IR reflow: 250°C, 10sec. MAX.  
Manual soldering: 370°C, 3 sec. MAX.
- Environmental Characteristics  
Operating temperature: -40°C~+85°C  
Operating humidity: 10%~95%RH

RoHS Compliant

TOLERANCES ARE

**MORETHANALL**  
PCB CONNECTORS  
Cable ASSEMBLIES

DRAWING BY CY

CHECKED BY GENIUS

UNIT / mm

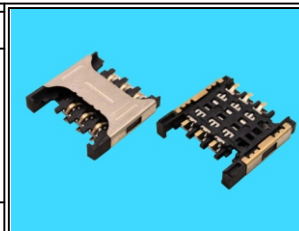
SCALE 1 : 1

DATE

SIZE A4

X, ±  
X, ±  
.XX ±  
.XXX ±  
ANG ±

P PROJECTION



ORDER INFORMATION

MISCT-W1024X-06-LF

SERIES | LEADFREE  
90°SMT | 06 WAY  
HIGH 2.4mm | NON POST  
PAD TO PAD 10mm

煜倫股份有限公司

www.morethanall.com

DESCRIPTION: