

TECHNICAL CHARACTERISTICS

1. General Characteristics

Dimension: 15.10L x 13.00W x 1.30H mm
 Weight: Approx. g
 Contact principle: Friction technology
 Operating position: Shaft up / Down / Horizontal
 Mounting System: SMT Type (without post)
 Durability: 5,000 cycles min.

2. Mechanical Characteristics

Insulation material: Thermoplastic, UL 94V-0
 RoHS Directive 2002/95/EC Compliant

3. Electrical Characteristics

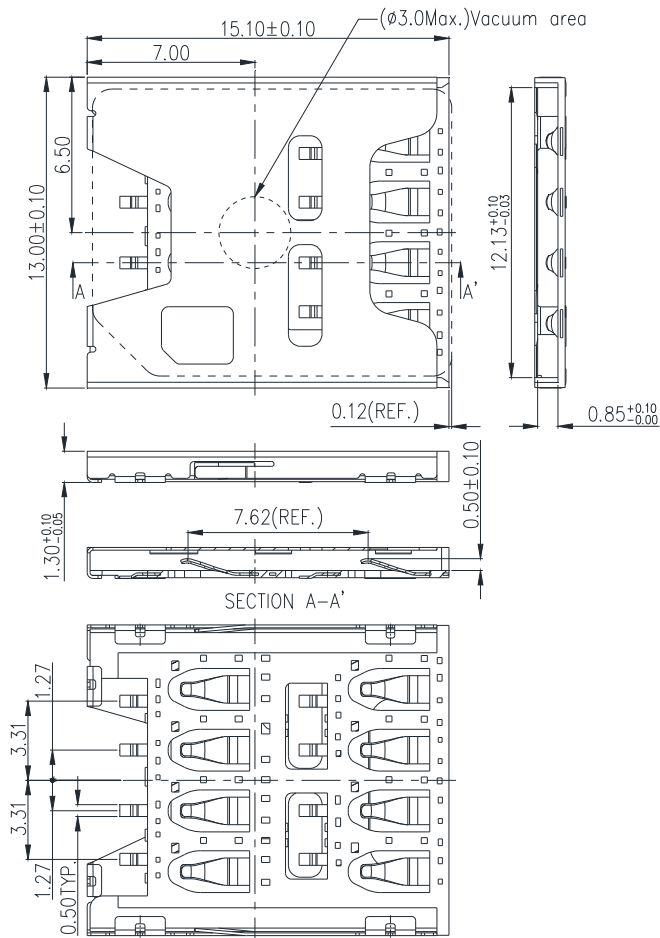
Number of contacts: 6, 8 pins (optional)
 Contact resistance: 50 m typical, 100 m max.
 Insulation resistance: >1000 M / 500 VDC

4. Solderability

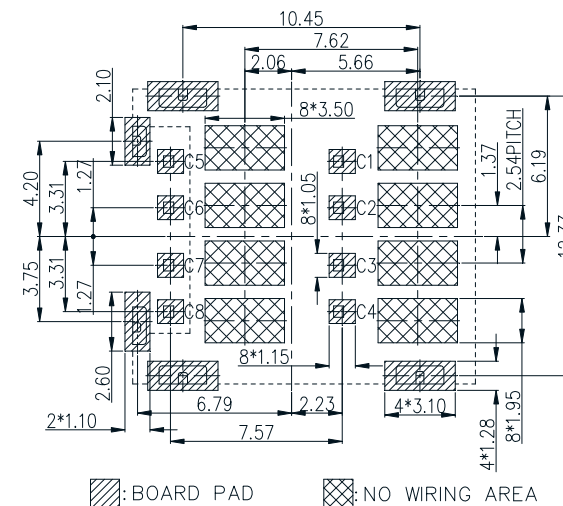
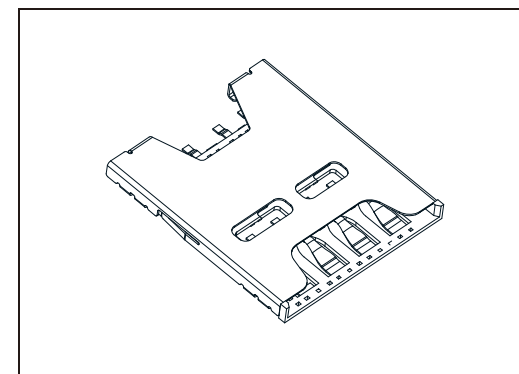
Wave: Not applicable
 IR reflow: 260C, 10 sec. Max.
 Manual soldering: 360C, 3 sec. Max.

5. Environmental Characteristics

Operating temperature: - 40C ~ + 85 C
 Operating humidity: 10 % ~ 95 % RH
 Storage temperature: - 40C ~ + 85 C
 Storage humidity: 10 % ~ 95 % RH



Unit: mm; Tolerances: 0.15 mm
Mechanical outline dimension



Unit: mm; Tolerances: 0.05 mm
Reference dimension for PCB layout

RoHS Compliant

TOLERANCES ARE

MORETHANALL
 PCB CONNECTORS
 Cable ASSEMBLIES

DRAWING BY CY

CHECKED BY GENIUS

UNIT/ mm SCALE 1:1

DATE

SIZE A4

X, ±
 X, ±
 .XX ±
 .XXX ±
 ANG ±

P PROJECTION

照片框

ORDER INFORMATION

MISCT-W0713XR-08-LF

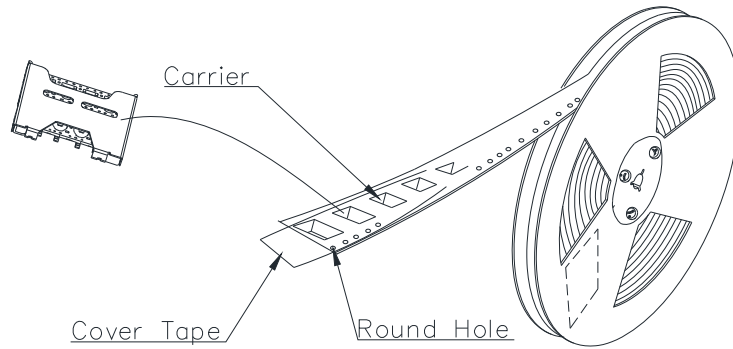
SERIES | 08 WAY | LEADFREE
 REEL
 90°SMT | NON POST
 HIGH 1.3mm
 PAD TO PAD 7.57mm

DESCRIPTION:

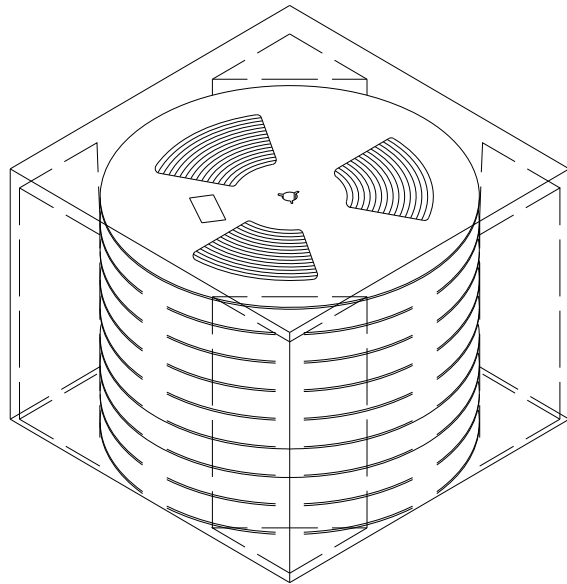
煜倫股份有限公司

www.morethanall.com

A1: Carrier Tape (Meet EIA-481 Standard)



N.W.: 0.25 KGS
G.W.: 0.8 KGS
Q Y: 1,000 PCs per reel
Meas.: dia. 33 CM, W2.4 CM



N.W.: 2.5 KGS
G.W.: 9.2 KGS
Q Y: 10,000 PCs per carton
 (10 reels set in order)
Meas.: 35.0L x 35.0W x 32.5H CM

RoHS Compliant

TOLERANCES ARE

MORETHANALL
 PCB CONNECTORS
 Cable ASSEMBLIES

煜倫股份有限公司

www.morethanall.com

DRAWING BY CY	
CHECKED BY GENIUS	
UNIT / mm	SCALE 1 : 1
DATE	
SIZE A4	PJECTION

X. ±
 .X ±
 .XX ±
 .XXX ±
 ANG ±

照片框

ORDER INFORMATION

MISCT-W0713XR-08-LF
 SERIES | 90°SMT | REEL | 08 WAY | LEADFREE
 NON POST
 HIGH 1.3mm
 PAD TO PAD 7.57mm

DESCRIPTION: