

公母对插内部结构图

NOTE:

1.ELECTRICAL PROPERTIES:

- 1-1.CONTACT CURRENT RATING:1.8A(ONLY PIN1,5) AT THE SAME TIME 0.5A AT CONTACT PIN 2,3,4 OTHER 1A(ONLY PIN2,3 4).
- 1-2.CONTACT RESISTANCE:30m Ohm MAX
- 1-3.INSULATION RESISTANCE:100M Ohm MIN AT DC 500V.
- 1-4.DIELECTRIC WITHSTANDING VOLTAGE:AC 100V AC/1 MINUTE 10mA.

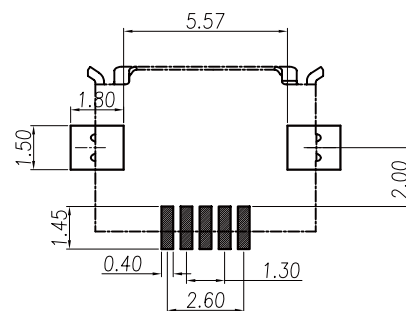
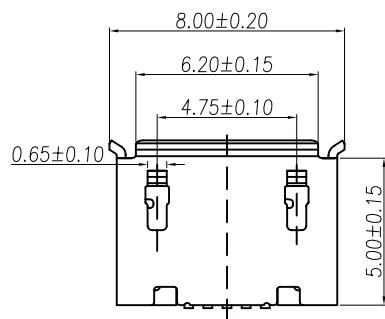
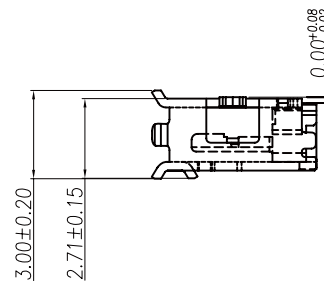
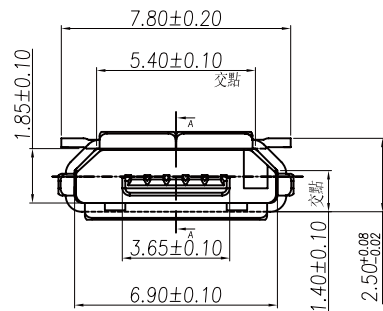
2.MATERIAL:

- 2-1.PIN: BRASS
- 2-2.HOUSING: LCP COLOR:BLACK
- 2-3.SHELL: Stainless Steel

3.PLATING:

- 3-1.PIN:UNDERPLATED 50u" MIN,NICKEL OVER ALL. 1u".3u".5u".10u".15u". 30u"GOLD ON CONTACT AREA. 100u" MIN, TIN ON SOLDER TAILS.
- 3-2. SHELL: 30~80u" ,NICKEL OVER ALL.

4.Temperature range: -40°C~+85°C



RECOMMEND P.C.B LAYOUT

3	SHELL	1	Stainless steel	T=0.30±0.01mm	Nickel Plated	D4470XX
2	CONTACT	5	Brass	T=0.20±0.01mm	Gold Flashfd	
1	HOUSING	1	LCP		Black	
No.	Part Name	Q'ty	Material	Thickness	Finish	Notes

RoHS Compliant

MORETHANALL
PCB CONNECTORS
Cable ASSEMBLIES

煜倫股份有限公司

www.morethanall.com

DRAWING BY CY

CHECKED BY GENIUS

UNIT/mm SCALE 1:1

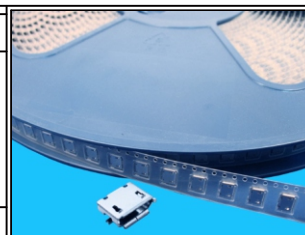
DATE

SIZE A4

TOLERANCES ARE

X. ±
.X ±
.XX ±
.XXX ±
ANG ±

PJECTION

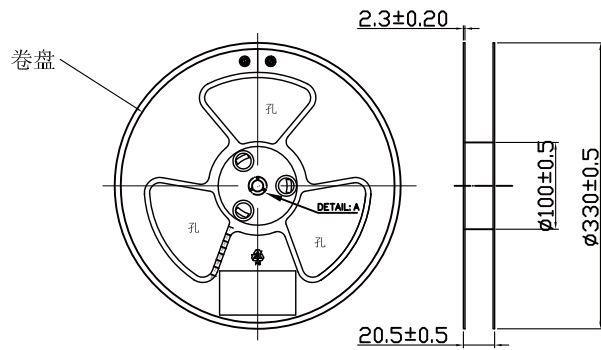


ORDER INFORMATION

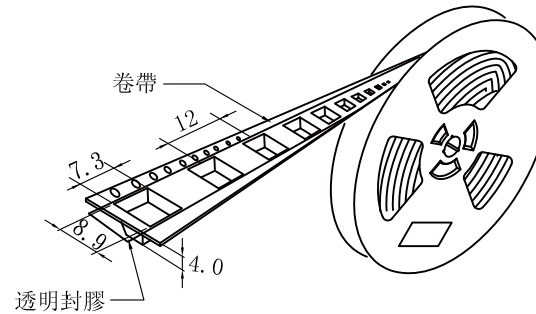
MISB-SWR-5B-LF

SERIES | | | LEADFREE
5 PIN B TYPE
REEL
90°SMT
FEMALE

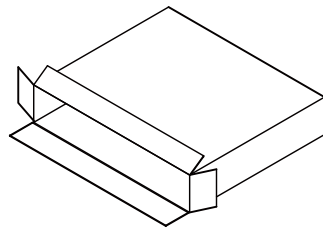
DESCRIPTION: MICRO USB 5PIN(F) B TYPE (无定位柱)



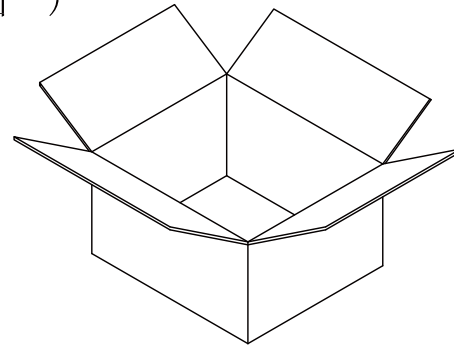
卷帶盤 (圖一)



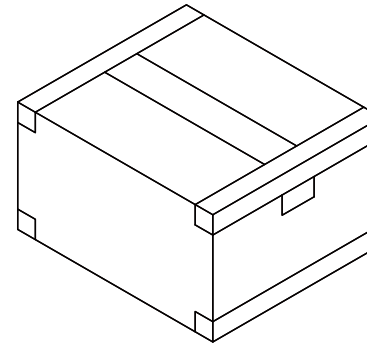
卷裝圖示 (圖二)



未封好
內紙箱
(圖三)
包裝說明



未封好
外紙箱
(圖四)



封好外
紙箱
(圖五)

1. 每卷帶盤裝1500PCS, 不可少數, 成品在盤內不可活動, 裝好後使用自動卷裝機粘合上透明封膠. 如圖(一, 二)所示. 卷帶盤規格為 $\phi 330.0 \times 20.5$ MM.
2. 將裝好的卷帶盤放入內紙箱內, 每個內紙箱放2盤, 用透明膠密封, 再將封裝好的內紙箱放入外紙箱中, 每個外紙箱放8個內紙箱, 共有產品24.0K, 最後用透明膠密封外紙箱. 如圖(三, 四, 五)所示. 內紙箱規格為 $350 \times 350 \times 58$ MM, 外紙箱規格為 $355 \times 368 \times 530$ MM
3. 紙箱外貼上環保标签, 合格标签, 產品規格說明, 並且貼在外箱側面的箱面規格說明的右上方 (僅貼一側)
4. 包裝材料:(JPL007, RR002, ZX011, ZX004)

MORETHANALL
PCB CONNECTORS
Cable ASSEMBLIES

煜倫股份有限公司

www.morethanall.com

RoHS Compliant

DRAWING BY CY

CHECKED BY GENIUS

UNIT/mm

SCALE 1:1

DATE

SIZE A4

TOLERANCES ARE

X. ±

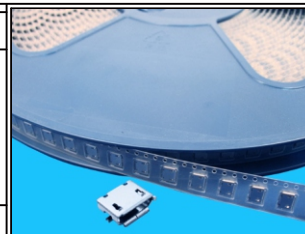
.X ±

.XX ±

.XXX ±

ANG ±

PJECTION



ORDER INFORMATION

MISB-SWR-5B-LF

SERIES | | | LEADFREE
5 PIN B TYPE

REEL
90°SMT
FEMALE

DESCRIPTION: MICRO USB 5P FEMALE S.M.T
成品类卷带包装规范