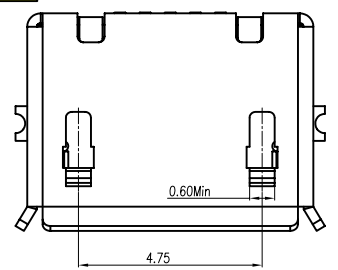
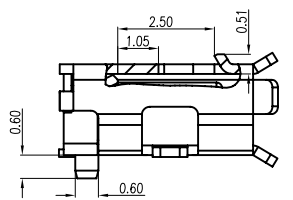


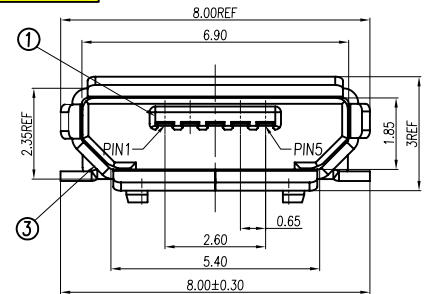
Top View



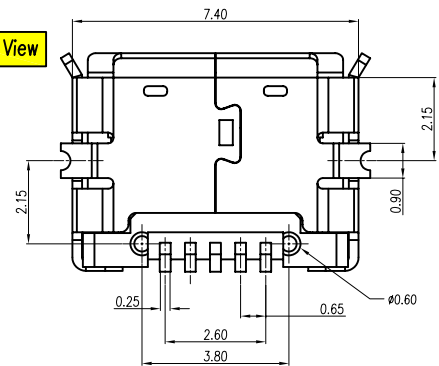
Side View



Front View



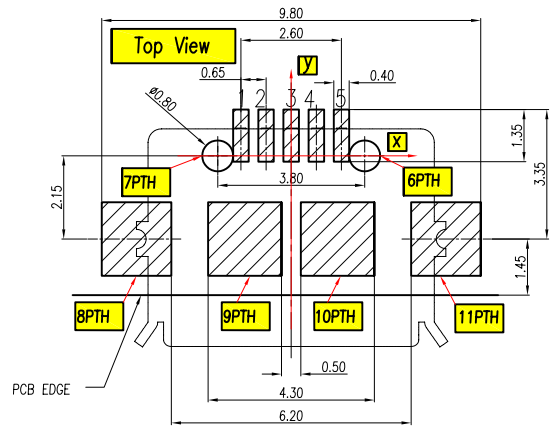
Bottom View



Note:

Specification:

1. Current rating: 1 A Max.
2. Dielectric withstanding voltage: 30V(ac) for 1 minute.
3. Contact resistance: 30 mΩ Max.
4. Insulation resistance: 1000 MΩ Min at DC 500V.
5. Insertion force: 35 Newtons Max.
6. Extraction force: 10 Newtons Min.
7. Temperature range: -30°C~+80°C



RECOMMENDED PCB LAYOUT

| | | | | | |
|-----|---------|------|--------------|---------------------|---|
| 3 | Shell | 1 | SUS | T=0.25mm | Nickel Plated |
| 2 | Contact | 5 | copper alloy | T=0.20mm | Contact area:30u"Gold Plated over 40u"Nickel min. ALL Gold Plated |
| 1 | Housing | 1 | LCP | UL 94-V0 | Black |
| No. | Name | Q'ty | Material | Remarks & Thickness | Finish |

RoHS Compliant

TOLERANCES ARE

MORETHANALL
PCB CONNECTORS
Cable ASSEMBLIES

DRAWING BY CY

X, ±

CHECKED BY GENIUS

.X ± 0.30

UNIT / mm

SCALE 1 : 1

.XX ± 0.20

DATE

.XXX ± 0.10

ANG ± 1°

SIZE A4

P PROJECTION

照片框

ORDER INFORMATION

MISB-SWPS30-5B-LF

SERIES

LEADFREE

5 PIN B TYPE

SEMI GOLD 30u"

FEMALE POST 90°SMT

煜倫股份有限公司

www.morethanall.com

DESCRIPTION: MICRO USB-5PIN(F)SMT B TYPE