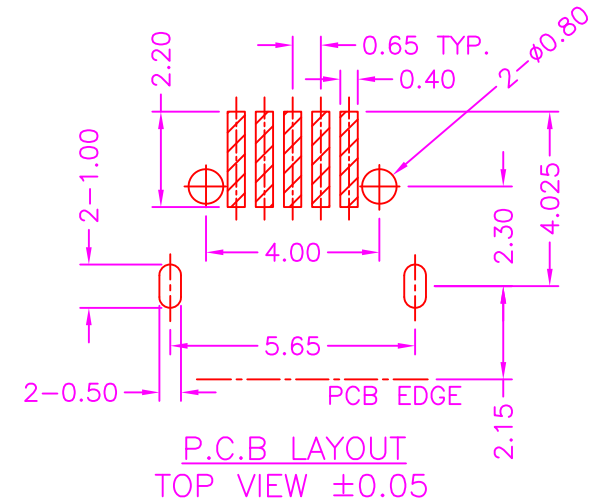
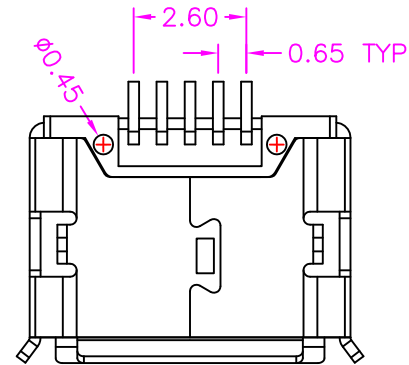
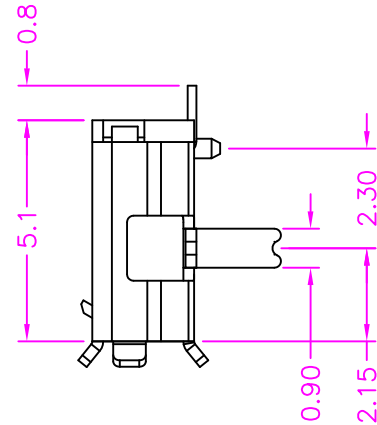
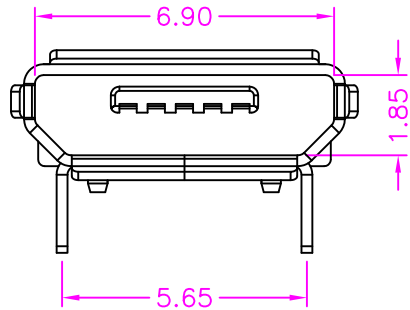
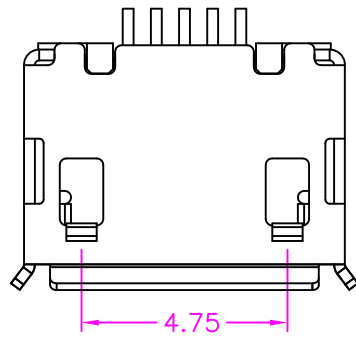
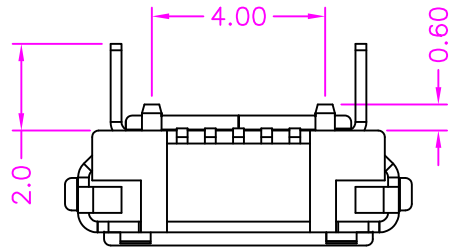


**MATERIALS**

HOUSING: HI-TEMP. PLASTIC (UL 94V-0), BLACK  
 SHELL: STAINLESS STEEL, NICKEL PLATING  
 TERMINAL: COPPER ALLOY, GOLD PLATING

**SPECIFICATION**

CURRENT RATING: 1.8 AMP MAX (ONLY PIN 1, 5), OTHER 1 AMP MAX  
 DIELECTRIC WITHSTANDING: 100V AC FOR ONE MINUTE  
 CONTACT RESISTANCE: 30m OHMS MAX  
 INSULATION RESISTANCE: 100M OHMS MIN AT DC 500V  
 OPERATION TEMPERATURE: -40°C~+105°C



**RoHS Compliant**

TOLERANCES ARE

**MORETHANALL**  
 PCB CONNECTORS  
 Cable ASSEMBLIES  
**煜倫股份有限公司**  
 www.morethanall.com

DRAWING BY CY		X. $\pm 0.40$
CHECKED BY GENIUS		.X $\pm 0.30$
UNIT / mm	SCALE 1 : 1	.XX $\pm 0.20$
DATE		.XXX $\pm 0.10$
SIZE A4	P PROJECTION	ANG $\pm$

照片框

**ORDER INFORMATION**

MISB-SWMP5640-5B-LF  
 SERIES | LEADFREE  
 5 PIN B TYPE  
 METAL FOOT+POST 5.65+4.0mm  
 90°SMT  
 FEMALE

DESCRIPTION: MICRO USB B TYPE, PCB MOUNT, SMT, METAL SHIELD, WITH POST, FEMALE