

SPECIFICATIONS

Electrical:

- 1.Current Rating: 1.0A / contact terminal
- 2.Voltage Rating: 30V DC
- 3.Contact Resistance: 50 milliohms Max
- 4.Dielectric Withstanding Voltage:
300 V AC at Sec Level
- 5.Insulation Resistance: 100 MEGA ohms Min

Mechanical:

- 1.Connector Mate and Unmate Force
Mate force: 3.0 kgf (Max)
Unmate force: 0.7 kgf (Min)
- 2.Terminal Retention: 0.5 kgf (Min)

Material:

- 1.Housing:
High Temperature Thermal Plastics,
UL 94V-0 LCP Black
- 2.Contact: Phosphor Bronze
- 3.Shell: Brass

Finish:

- 1.Contact: Plated Gold in Mating Area;
Tin on Solder Balls
- 2.Shell: Nickel Plating

P.C.B LAYOUT MOUNTING PATTEN

RoHS Compliant

TOLERANCES ARE

MORETHANALL
PCB CONNECTORS
Cable ASSEMBLIES

DRAWING BY CY

CHECKED BY GENIUS

UNIT / mm SCALE 1 : 1

DATE

SIZE A4

X, ±
.X ± 0.35
.XX ± 0.25
.XXX ± 0.15
ANG ± 3°

P PROJECTION

照片框

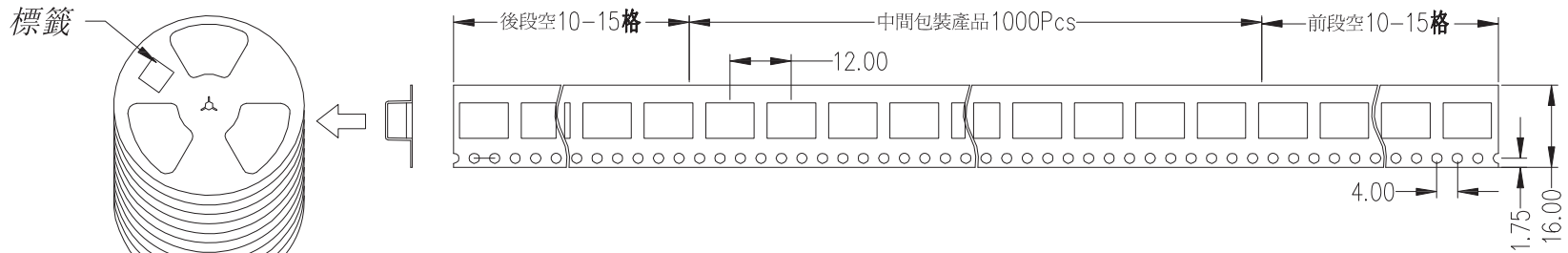
ORDER INFORMATION

MISB-SWMP40R-5B-LF
SERIES | | | | LEADFREE
FEMALE | | | | REEL
METAL | | | | POST 4.0mm
90°SMT

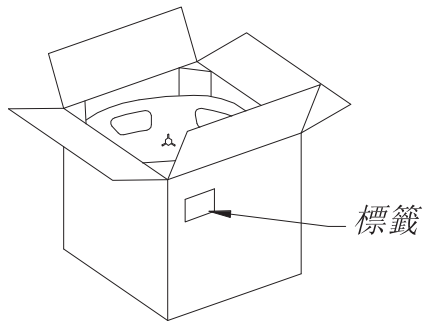
DESCRIPTION: MICRO USB B TYPE

煜倫股份有限公司

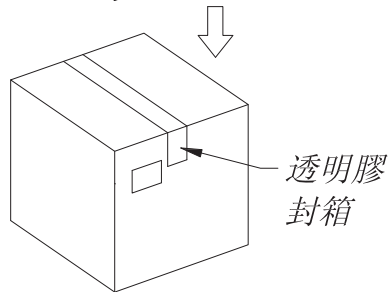
www.morethanall.com



10盤 ↓

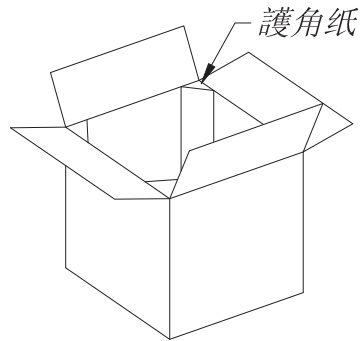


標籤

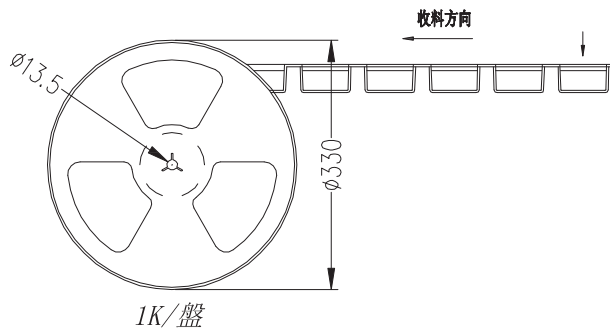
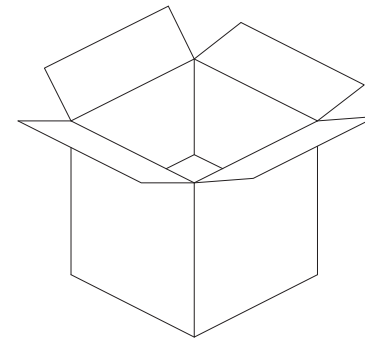


透明膠封箱

10K/箱 紙箱規格: 360*360*220mm



護角紙



1. 每盤前後各空10-15個空格, 中間包裝1000PCS.
2. 每箱包裝10盤, 共包裝10,000PCS.

RoHS Compliant

TOLERANCES ARE

MORETHANALL
PCB CONNECTORS
Cable ASSEMBLIES

DRAWING BY CY

X. ±

CHECKED BY GENIUS

.X ±

UNIT / mm

SCALE 1 : 1

.XX ±

DATE

.XXX ±

ANG ±

SIZE A4

PJECTION

照片框

ORDER INFORMATION

MISB-SWMP40R-5B-LF
SERIES | | | | LEADFREE
FEMALE | | | | REEL
METAL | | | | POST 4.0mm
90°SMT

DESCRIPTION: REEL PACKING

煜倫股份有限公司

www.morethanall.com