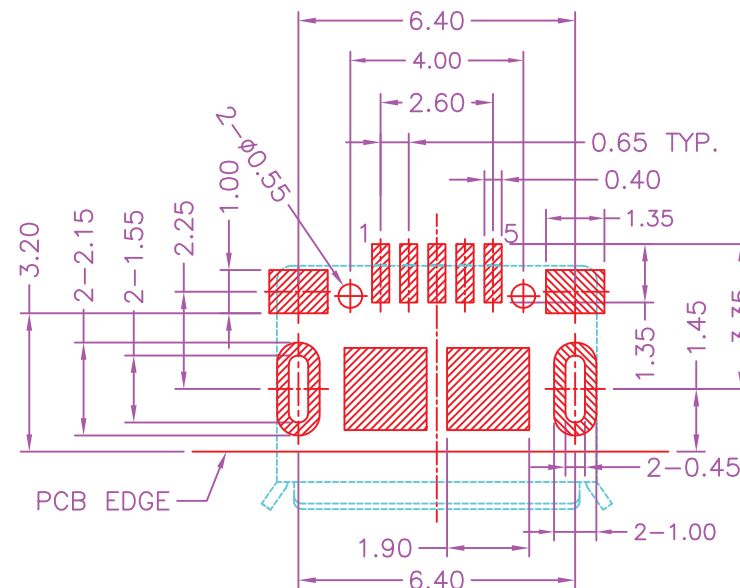
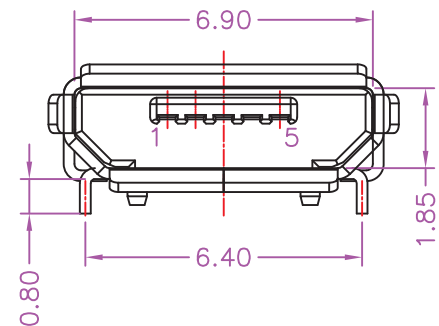
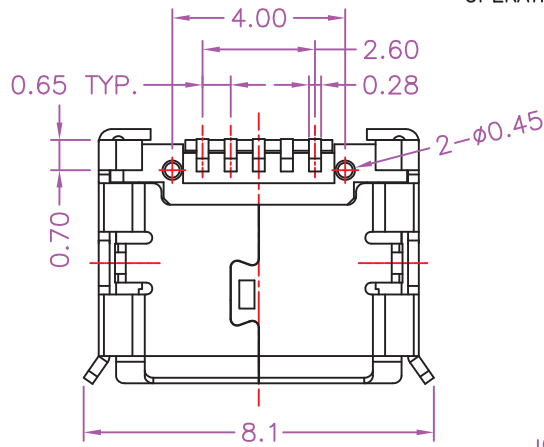
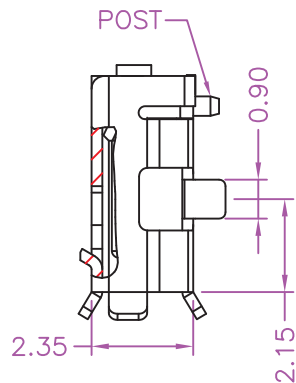
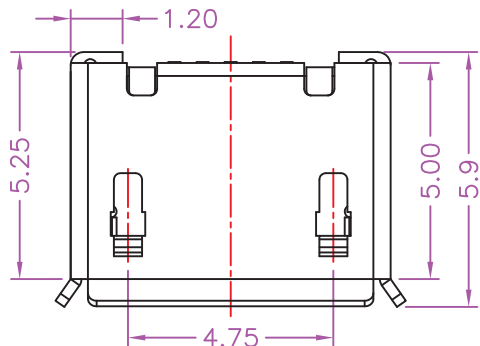
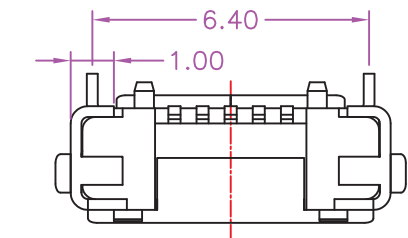


**MATERIALS**

HOUSING: HI-TEMP. PLASTIC (UL 94V-0), BLACK  
 SHELL: COPPER ALLOY OR STAINLESS STEEL, NICKEL PLATING  
 TERMINAL: COPPER ALLOY, GOLD PLATING

**SPECIFICATION**

CURRENT RATING: 1.8 AMP MAX (ONLY PIN 1, 5), OTHER 1 AMP MAX  
 DIELECTRIC WITHSTANDING: 100V AC FOR ONE MINUTE  
 CONTACT RESISTANCE: 30m OHMS MAX  
 INSULATION RESISTANCE: 100M OHMS MIN AT DC 500V  
 OPERATION TEMPERATURE: -25°C~+85°C



P.C.B. LAYOUT  
 TOP VIEW ±0.05

**RoHS Compliant**

TOLERANCES ARE

**MORETHANALL**  
 PCB CONNECTORS  
 Cable ASSEMBLIES

DRAWING BY CY

X. ± 0.40

CHECKED BY GENIUS

.X ± 0.30

UNIT / mm

SCALE 1 : 1

.XX ± 0.20

DATE

.XXX ± 0.10

ANG ±

**煜倫股份有限公司**

www.morethanall.com

SIZE A4

PJECTION

照片框

**ORDER INFORMATION**

MISB-SWMEP40-5B-LF

SERIES | | | | | LEADFREE  
 5 PIN B TYPE  
 POST 4.0mm  
 EAR  
 FEMALE | | | | | METAL FOOT  
 90°SMT

DESCRIPTION: MICRO USB B TYPE, PCB MOUNT, SMT, METAL SHIELD, FEMALE WITH POST