

ITEM	DESC.	MATERIAL	REMARKS
3	SHELL	STAINLESS STEEL, T=0.30	30u" NICKEL OVER PLATED
2	HOUSING	HIGH TEMPERATURE	COLOR:BLACK
1	CONTACT	COPPER ALLOY, T=0.20	CONTACT AREA: Au30u" SOLDER AREA: Au 3u"

RoHS Compliant

TOLERANCES ARE

**MORETHANALL**  
Cable CONNECTORS  
Cable ASSEMBLIES  
**煜倫股份有限公司**  
www.morethanall.com

DRAWING BY CY  
CHECKED BY GENIUS  
UNIT / mm SCALE 1 : 1  
DATE  
SIZE A4

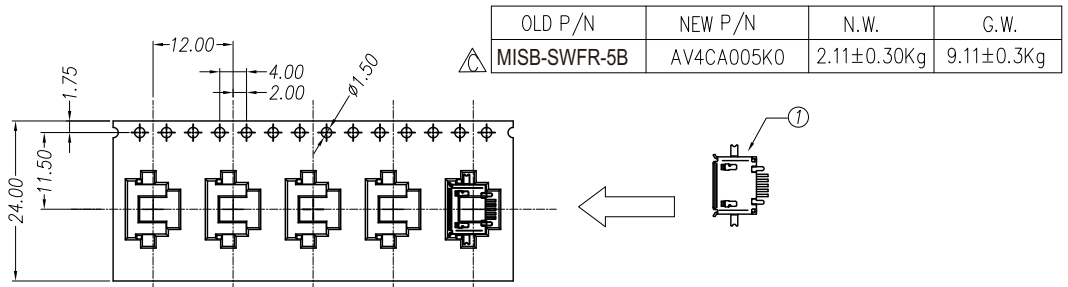
X, ±  
.X ±  
.XX ±  
.XXX ±  
ANG ±  
PJECTION



ORDER INFORMATION

MISB-SWFR-5B-LF  
SERIES | | | | | LEADFREE  
5 PIN B TYPE  
REEL  
OFFSET  
90°SMT  
FEMALE

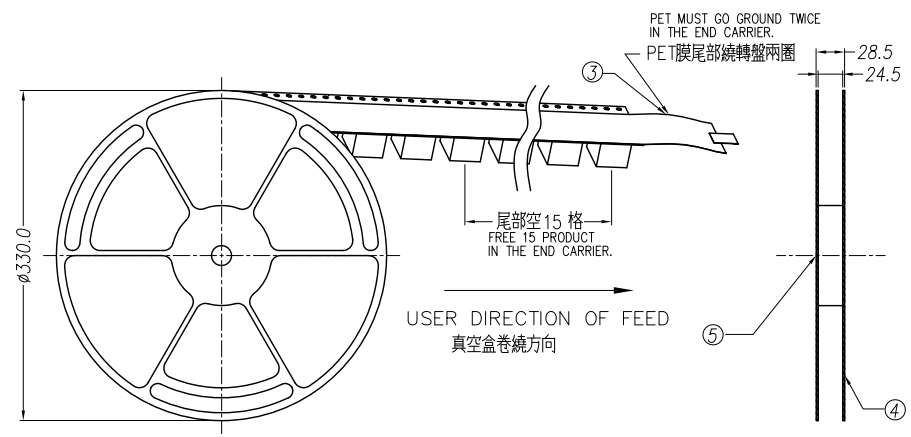
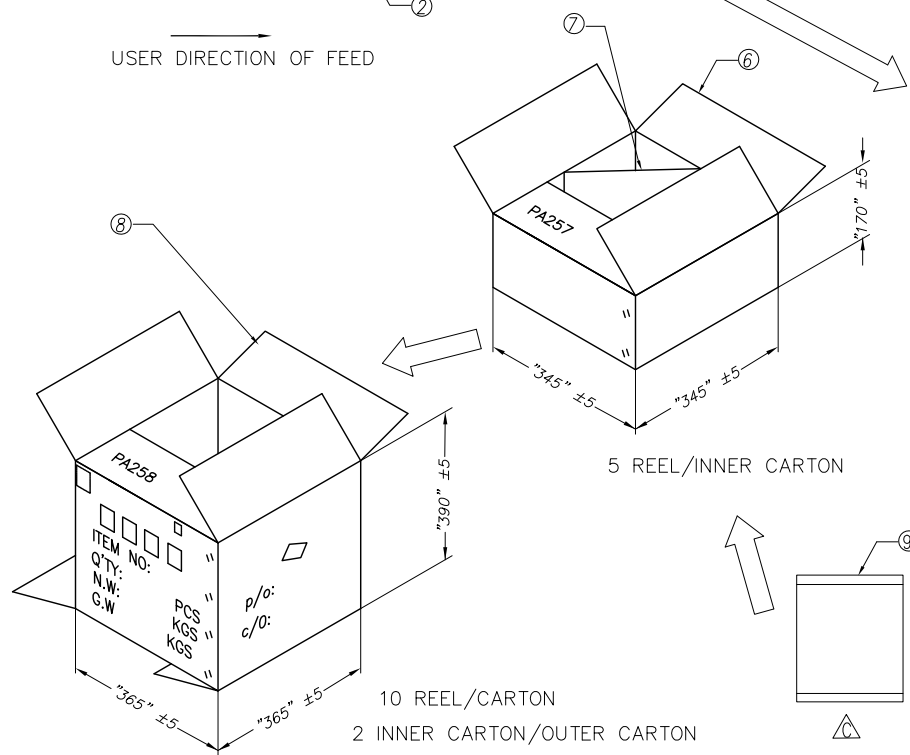
DESCRIPTION:



OLD P/N	NEW P/N	N.W.	G.W.
MISB-SWFR-5B	AV4CA005K0	2.11±0.30Kg	9.11±0.3Kg

序號 NO.	項 目 ITEM	
1	包裝方式 Method of packing	
2	包裝方式說明 Packing instruction	
3	內包裝單位 Unit of inner packing	箱 CARTON
4	內包裝產品數量 Inner packing quantity	5000 PCS
5	內包裝重量(g) Inner packing weight	3106
6	外包裝單位 Unit of outer packing	箱 CARTON
7	外包裝內包裝數量 Quantity of inner packing	2
8	外包裝重量(g) Weight of outer packing	788
9	總數量 (PCS) Total quantity	10000
10	長Length(mm)x寬Width(mm)x高High(mm)	365X365X390
11	數量 / 盤 1. QUANTITY/REEL	1000 PCS
12	淨重 / 箱 WEIGHT/CARTON:N.W	2.30±0.30Kg
13	淨重 / 箱 WEIGHT/CARTON:G.W	9.30±0.30Kg
14	FREE THIRTY PRODUCT IN THE FRONT CARRIER AND FREE FIFTEEN PRODUCT IN THE END CARRIER. 包裝帶頭部空30格,尾部空 15 格	

USER DIRECTION OF FEED



9	PE BAG (PE 袋)	PE	PC101
8	OUTER CARTON	K=A	PA258
7	A TYPE PAD	K=A	PB605
6	INNER CARTON	K=A	PA257
5	PLASTIC AXLE	PS	PK110
4	PLASTIC TRAY	PS	PK109
3	COVER TAPE	PET	PF102
2	CARRIER TAPE	PS	PD19V
1	PRODUCT		
ITEM	DESC.	MATERIAL	REMARKS

RoHS Compliant

TOLERANCES ARE

**MORETHANALL**  
PCB CONNECTORS  
Cable ASSEMBLIES

DRAWING BY CY

X, ±

CHECKED BY GENIUS

.X ±

UNIT / mm

SCALE 1 : 1

.XXX ±

DATE

ANG ±

SIZE A4

PPOJECTION

照片框

ORDER INFORMATION

MISB-SWFR-5B-LF

SERIES | | | | LEADFREE  
5 PIN B TYPE  
REEL  
OFFSET  
90°SMT  
FEMALE

DESCRIPTION:

煜倫股份有限公司

www.morethanall.com