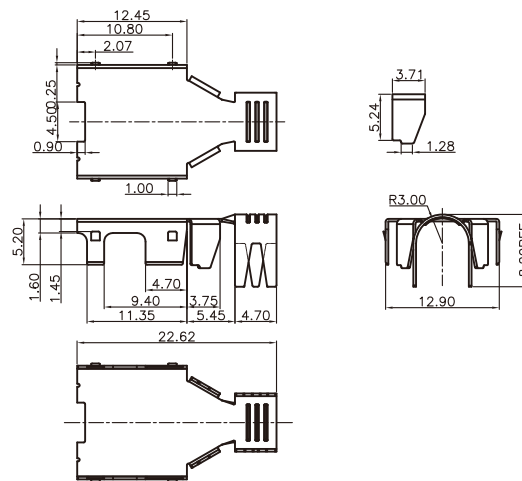
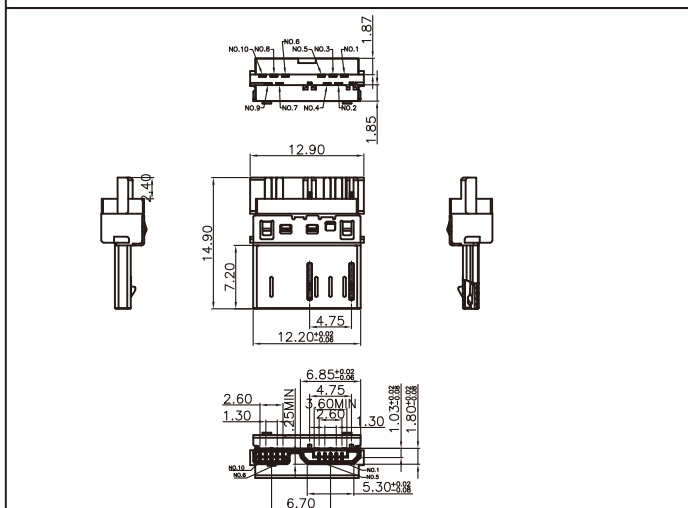


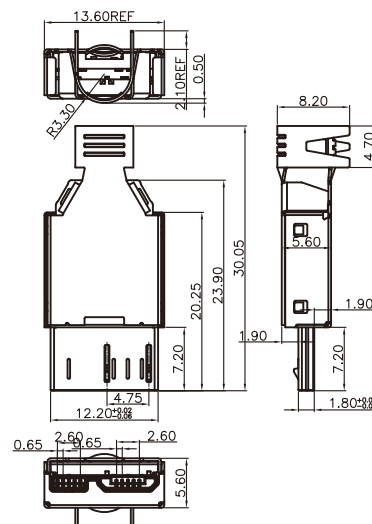
MICROUSB3.0 PLUG BOTTOM SHELL



MICROUSB3.0 PLUG TOP SHELL



MICROUSB3.0 PLUG B TYPE 半成品



MICROUSB3.0 PLUG B TYPE 成品

1. MATERIAL :
- 1-1. HOUSING : PBT 4830 ,UL94V-0; COLOR:BLACK
 - 1-2. CONTACT : COPPER ALLOY
 - 1-3. SHELL : COPPER ALLOY
 - 1-4. COVER : HIGH THERMOPLASTIC,UL94V-0; COLOR:BLACK
 - 1-5. LATCH :STAINLESS STEEL
 - 1-6. BOTTOM SHELL : METAL
 - 1-7. TOP SHELL : METAL
2. FINISH :
- 2-1. CONTACT : SEE TABLE A MIN. GOLD PLATED UNDER PLATE : NICKEL
 - 2-2. BOTTOM SHELL : NICKEL PLATED 60u" ~ 100u" OVER ALL
 - 2-3. SHELL : NICKEL PLATED 60u" ~ 100u" OVER ALL
 - 2-4. LATCH : NICKEL PLATED 60u" ~ 100u" OVER ALL
 - 2-5. TOP SHELL : NICKEL PLATED 60u" ~ 100u" OVER ALL

RoHS Compliant

TOLERANCES ARE

MORETHANALL
PCB CONNECTORS
Cable ASSEMBLIES

煜倫股份有限公司

www.morethanall.com

DRAWING BY CY

CHECKED BY GENIUS

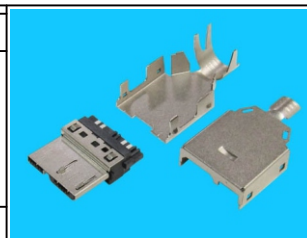
UNIT/mm SCALE 1:1

DATE

SIZE A4

X, ±
.X ± 0.20
.XX ± 0.10
.XXX ± 0.05
ANG ±

PJECTION



ORDER INFORMATION

MISB-PSBK-10B-LF
SERIES | LEADFREE
| 10WAY B TYPE
| BLACK
| SOLDER
MALE

DESCRIPTION: