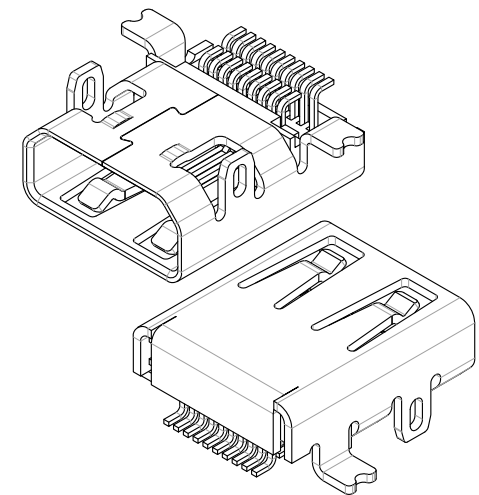
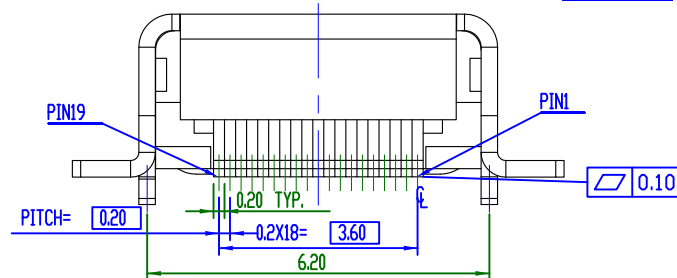
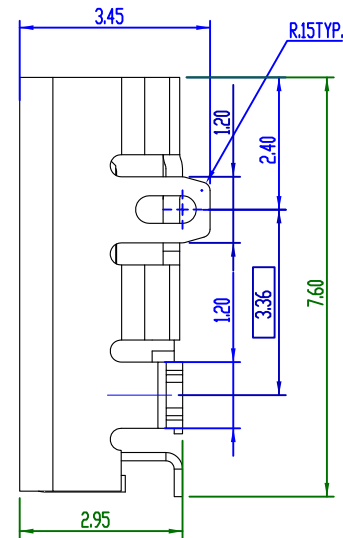
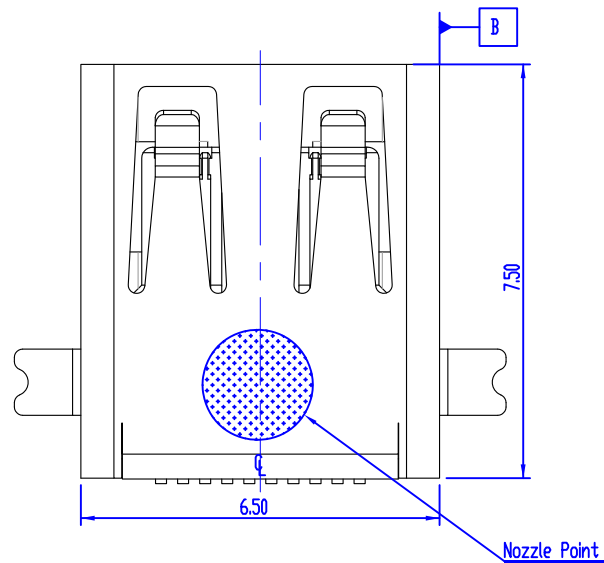
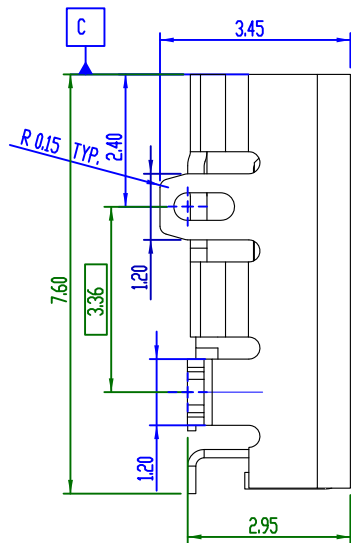


NOTES :
 1. Material :
 Housing : High temperature thermoplastic, UL94-V0.
 Color : White
 Terminal : Copper Alloy.
 Shield : Copper Alloy.
 2. Shield:
 50 U" MIN. NICKEL PLATING OVER ALL.



RoHS Compliant

TOLERANCES ARE

MORETHANALL
 PCB CONNECTORS
 Cable ASSEMBLIES

DRAWING BY CY

X. ±

CHECKED BY GENIUS

.X ±

UNIT / mm

SCALE 1 : 1

.XXX ±

DATE

ANG ±

SIZE A4

P PROJECTION

照片框

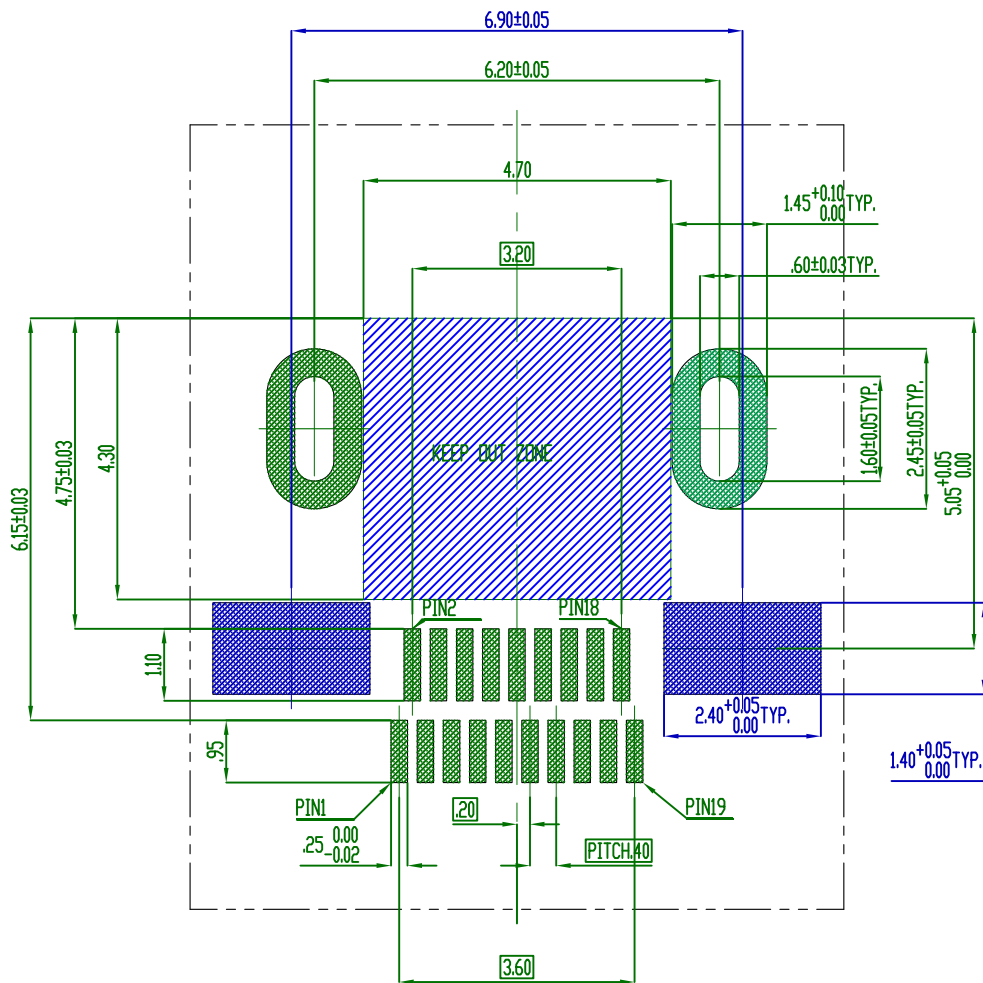
ORDER INFORMATION

MIHDMI-SWMER-19-LF
 SERIES | | | | LEADFREE
 | | | | 19 WAY
 | | | | REEL
 | | | | EAR
 | | | | METAL FOOT
 FEMALE | | | | 90°SMT

DESCRIPTION: HDMI TYPE D RECEPTACLE CONNECTOR

煜倫股份有限公司

www.morethanall.com



Recommend PCB Layout Tolerance = +/- 0.02 mm



HDMI Each Signal Terminal Will Be Functional After Detected.

19	5V Power
18	SDA
17	SCL
16	DDC/CEC Ground
15	CEC
14	TMDS Clock-
13	TMDS Clock Shield
12	TMDS Clock+
11	TMDS Data0-
10	TMDS Data0 Shield
09	TMDS Data0+
08	TMDS Data1-
07	TMDS Data1 Shield
06	TMDS Data1+
05	TMDS Data2-
04	TMDS Data2 Shield
03	TMDS Data2+
02	Utility
01	Hot Plug Detect
Pin NO.	Description
Pin Assignment	

RoHS Compliant

TOLERANCES ARE

MORETHANALL
PCB CONNECTORS
Cable ASSEMBLIES

DRAWING BY CY

X.±

CHECKED BY GENIUS

.X±

UNIT / mm

SCALE 1 : 1

.XXX±

DATE

ANG±

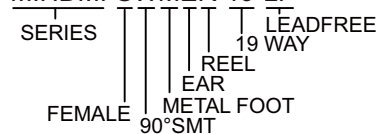
SIZE A4

PJECTION

照片框

ORDER INFORMATION

MIHDMI-SWMER-19-LF

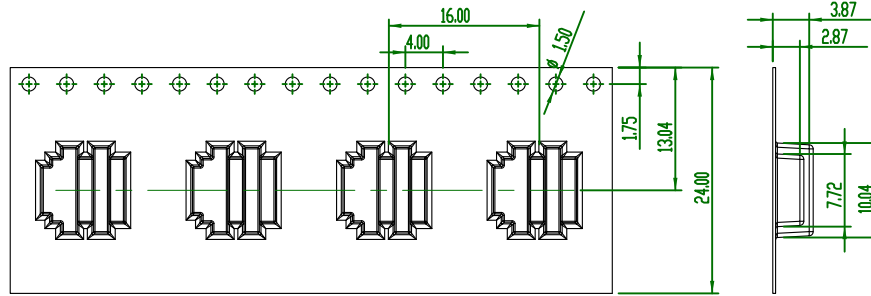


煜倫股份有限公司

www.morethanall.com

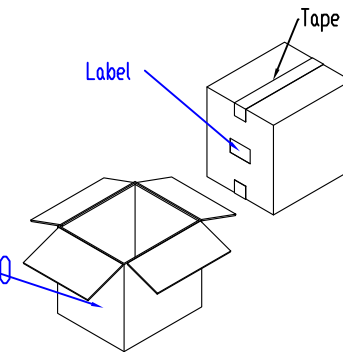
DESCRIPTION: HDMI TYPE D RECEPTACLE CONNECTOR

1.Tape Packed Status

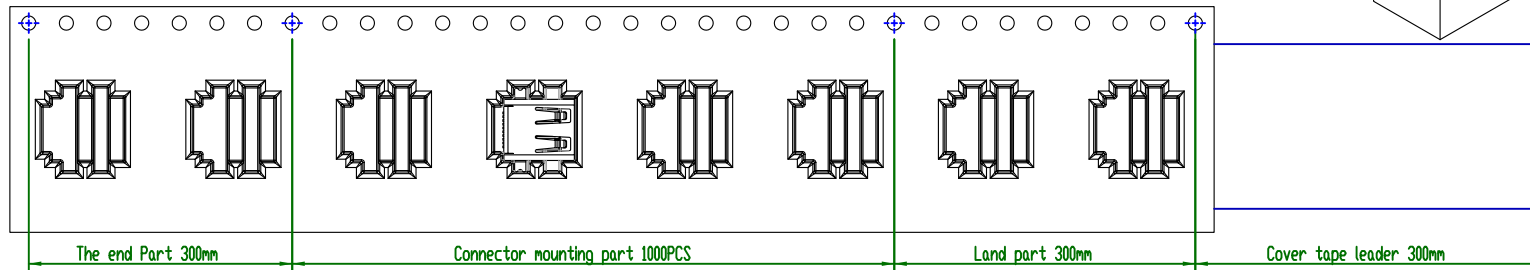


3.Carton Containing 10 Reel (See Chart A)

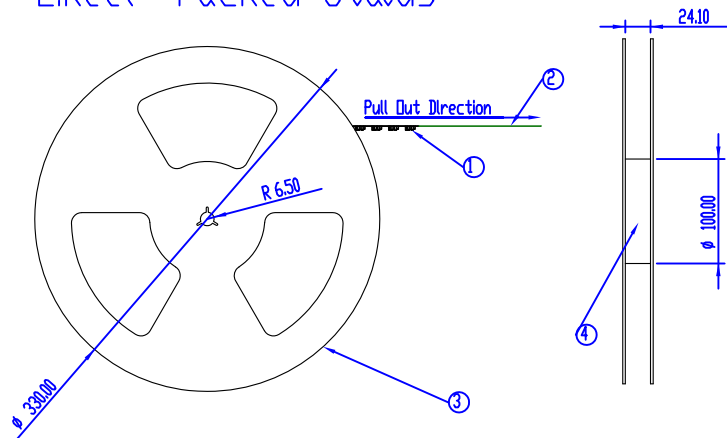
	Packing Quality	
	Reel	Carton
A	1000	10000



4.Carton Size:350X350X310



2.Reel Packed Status



Item	Name	Material	Color
1	Cappier Tape	PS	Black
2	Cover	PE	Translucent
3	Reel Plate	PS	Blue
4	Reel Core	PS	Blue

RoHS Compliant

TOLERANCES ARE

MORETHANALL
PCB CONNECTORS
Cable ASSEMBLIES

DRAWING BY CY

X, ±

CHECKED BY GENIUS

.X ±

UNIT / mm

SCALE 1 : 1

.XX ±

DATE

.XXX ±

ANG ±

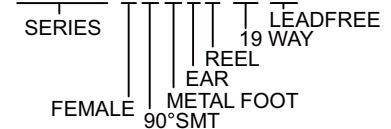
SIZE A4

PJECTION

照片框

ORDER INFORMATION

MIHDMI-SWMER-19-LF



煜倫股份有限公司

www.morethanall.com

DESCRIPTION: HDMI TYPE D RECEPTACLE CONNECTOR