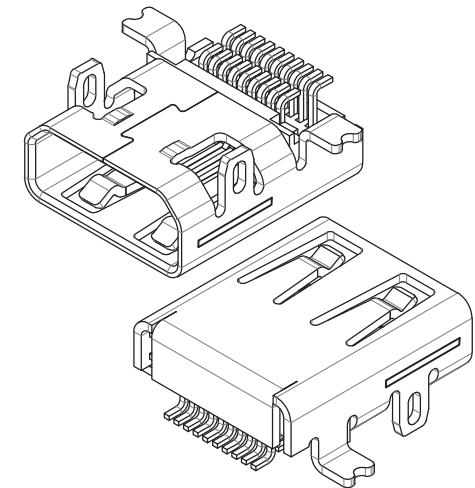
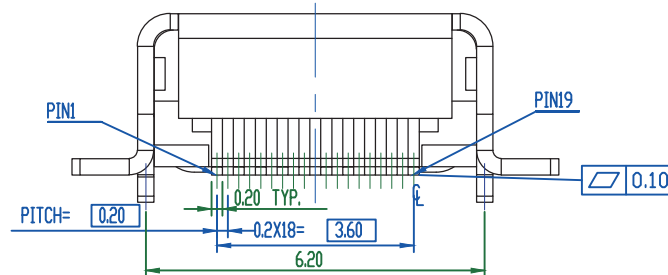
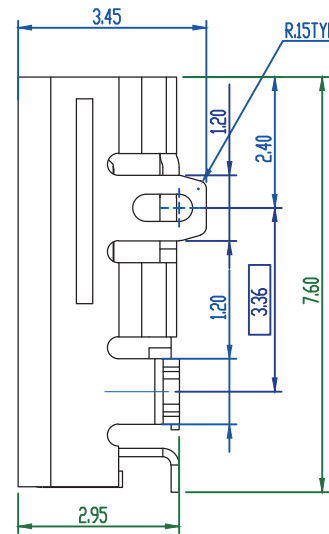
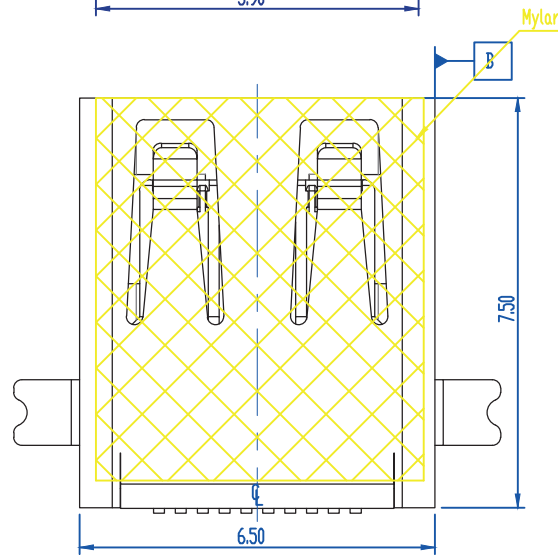
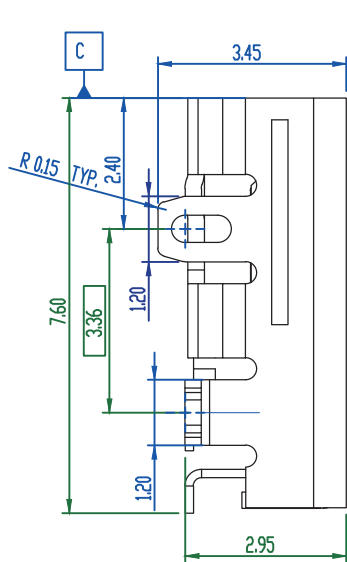


NOTES :
 1. Material :
 Housing : High temperature thermoplastic, UL94-V0.
 Color : White
 Terminal : Copper Alloy.
 Shield : Copper Alloy.
 2. Shield:
 50 U" MIN. NICKEL PLATING OVER ALL.



RoHS Compliant

TOLERANCES ARE

MORETHANALL
 PCB CONNECTORS
 Cable ASSEMBLIES

煜倫股份有限公司

www.morethanall.com

DRAWING BY CY

CHECKED BY GENIUS

UNIT/ mm SCALE 1:1

DATE

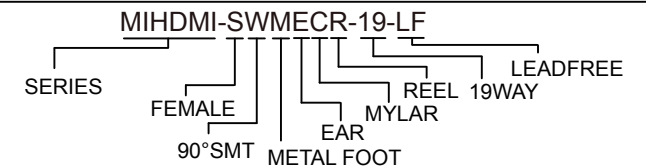
SIZE A4

X. ± 0.40
 .X ± 0.30
 .XX ± 0.20
 .XXX ± 0.10
 ANG ±

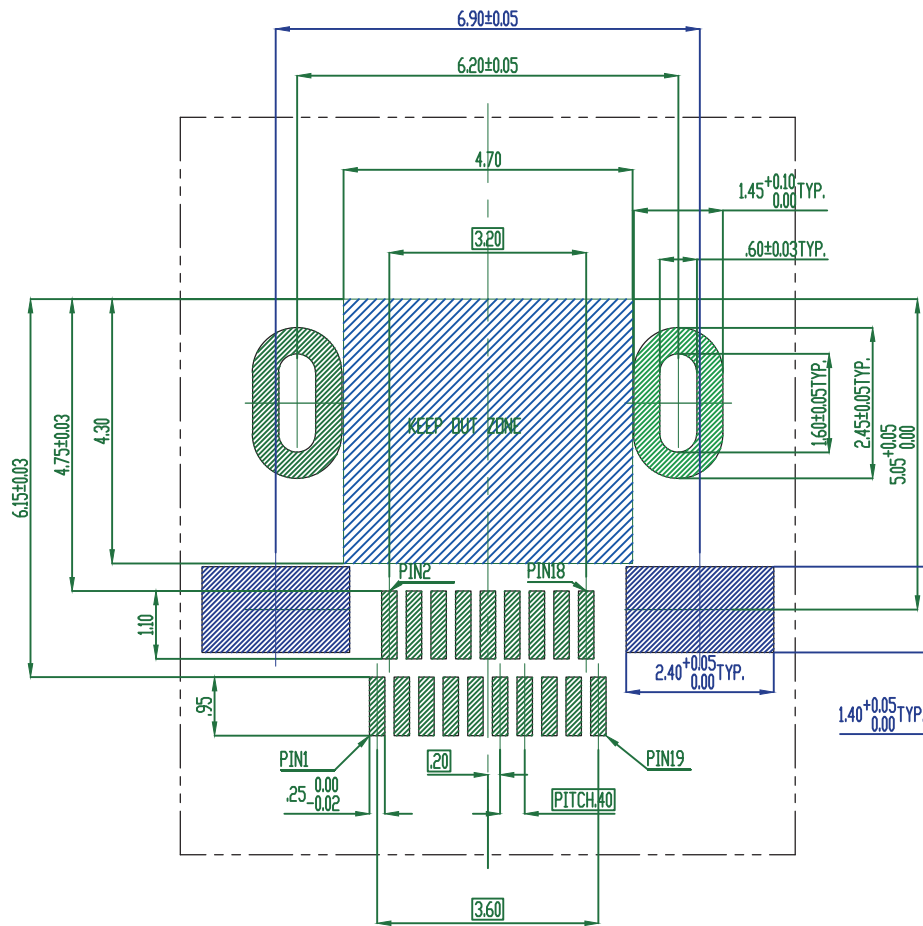
P PROJECTION

照片框

ORDER INFORMATION



DESCRIPTION:



HDMI Each Signal Terminal Will Be Functional After Detected.

Pin NO.	Description
19	5V Power
18	SDA
17	SCL
16	DDC/CEC Ground
15	CEC
14	TMDS Clock-
13	TMDS Clock Shield
12	TMDS Clock+
11	TMDS Data0-
10	TMDS Data0 Shield
09	TMDS Data0+
08	TMDS Data1-
07	TMDS Data1 Shield
06	TMDS Data1+
05	TMDS Data2-
04	TMDS Data2 Shield
03	TMDS Data2+
02	Utility
01	Hot Plug Detect

Pin Assignment

Recommend PCB Layout Tolerance = +/- 0.02 mm



RoHS Compliant

TOLERANCES ARE

MORETHANALL
PCB CONNECTORS
Cable ASSEMBLIES

煜倫股份有限公司

www.morethanall.com

DRAWING BY CY

CHECKED BY GENIUS

UNIT/mm SCALE 1:1

DATE

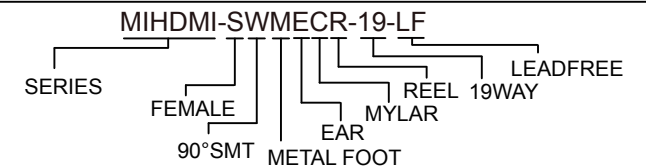
SIZE A4

P PROJECTION

X. ± 0.30
X ± 0.30
.XX ± 0.20
.XXX ± 0.20
ANG ± 1°

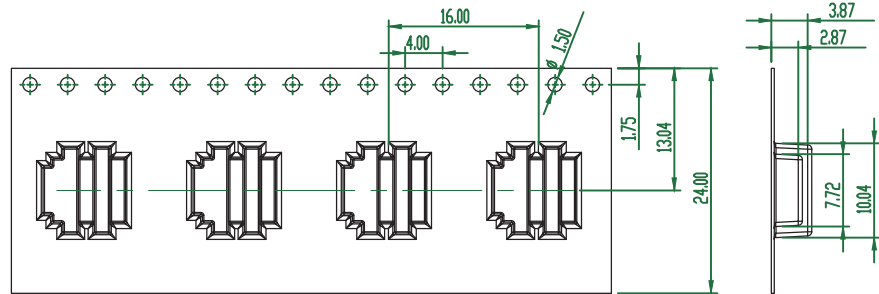
照片框

ORDER INFORMATION



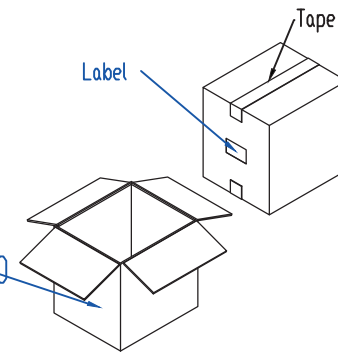
DESCRIPTION:

1.Tape Packed Status

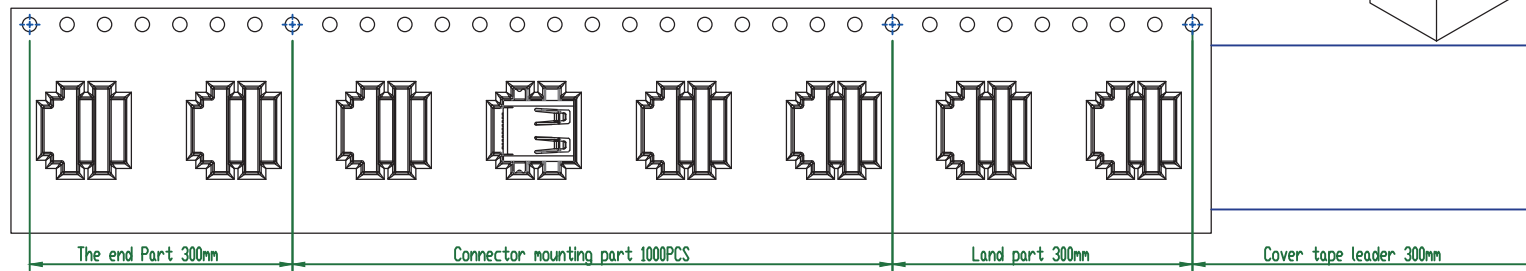


3.Carton Containing 10 Reel (See Chart A)

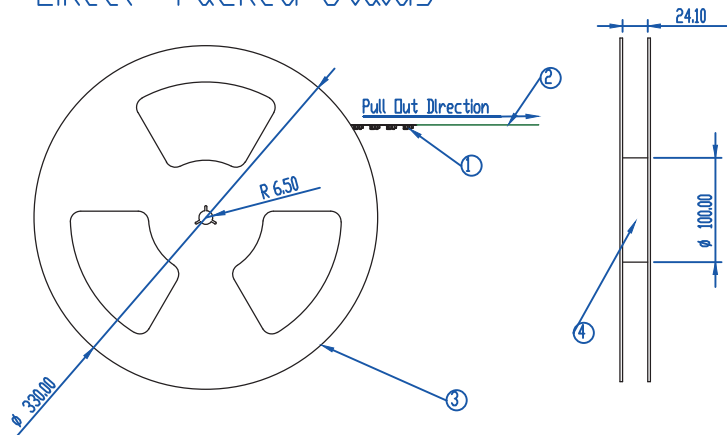
	Packing Quality	
	Reel	Carton
A	1000	10000



4.Carton Size:350X350X310



2.Reel Packed Status



Item	Name	Material	Color
1	Cappier Tape	PS	Black
2	Cover	PE	Translucent
3	Reel Plate	PS	Blue
4	Reel Core	PS	Blue

RoHS Compliant

TOLERANCES ARE

MORETHANALL
PCB CONNECTORS
Cable ASSEMBLIES

DRAWING BY CY

CHECKED BY GENIUS

UNIT/mm SCALE 1:1

DATE

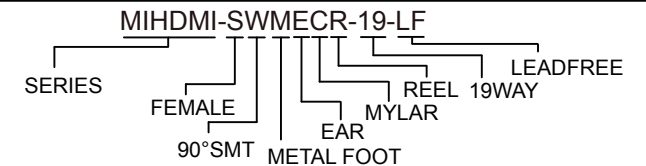
SIZE A4

X, ±
.X ±
.XX ±
.XXX ±
ANG ±

P PROJECTION

照片框

ORDER INFORMATION



煜倫股份有限公司

www.morethanall.com

DESCRIPTION: