

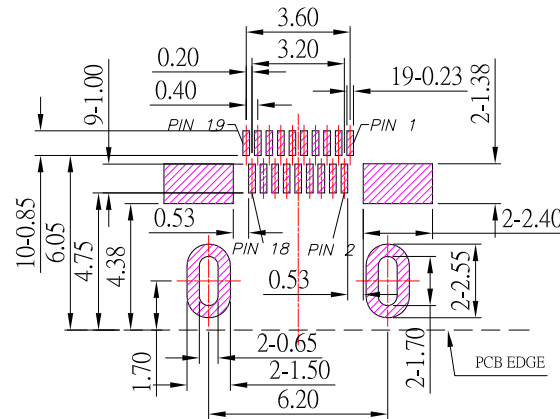
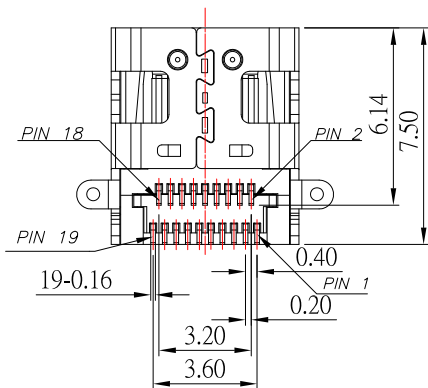
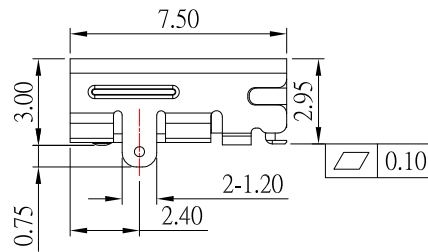
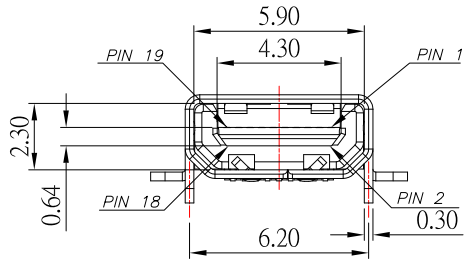
NOTE:

1.MATERIAL:

- 1.1 HOUSING: LCP
- 1.2 CONTACT: PHOSPHOR BRONZE
- 1.3 SHELL: PHOSPHOR BRONZE / SPCC
- 1.4 MYLAR: FILM

2.PLATING :

- 2.1 CONTACT: PLATED GOLD IN MATING AREA ;
TIN PLATED ON SOLDER BALLS ;
NICKEL UNDER PLATED OVERALL
- 2.2 SHELL: NICKEL UNDER PLATED SURFACE LAYER OR
TIN UNDER PLATED SURFACE LAYER



RECOMMENDED PCB LAYOUT(TOP VIEW)

RoHS Compliant

TOLERANCES ARE



煜倫股份有限公司

www.morethanall.com

DRAWING BY CY

CHECKED BY GENIUS

UNIT / mm

SCALE 1 : 1

DATE

SIZE A4

PPOJECTION

Up to 5 ±0.2
Above 5 ~ 15 ±0.3
Above 15 ~ 30 ±0.4
Above 30 ~ 50 ±0.5
Angle ±0.3

照片框

ORDER INFORMATION

MIHDMI-SWMEC-19-LF
SERIES | | | | | LEADFREE
| | | | | 19WAY
FEMALE | | | | | MYLAR
| | | | | EAR
| | | | | METAL FOOT
| | | | | 90°SMT

DESCRIPTION: HDMI D TYPE 前插後貼