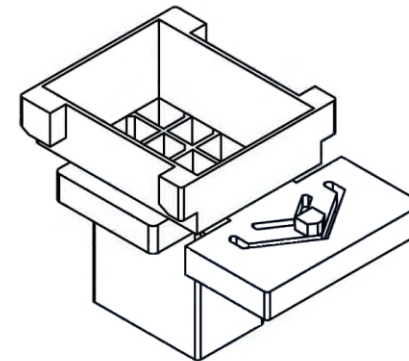


RECOMMENDED PANEL CUT-OUT



NOTE :

- * Material : Ployester UL 94V-0
- * Color : Black
- * Electrical rating : 250V 5A, AC/DC
- * 4-24 circuits available
- * Dual row

CIRCUITS	DIM.A	DIM.B	DIM.C	DIM.D
4	3.00	22.70	14.85	20.85
6	6.00	25.70	17.85	23.85
8	9.00	28.70	20.85	26.85
10	12.00	31.70	23.85	29.85
12	15.00	34.70	26.85	32.85
14	18.00	37.70	29.85	35.85
16	21.00	40.70	32.85	38.85
18	24.00	43.70	35.85	41.85
20	27.00	46.70	38.85	44.85
22	30.00	49.70	41.85	47.85
24	33.00	52.70	44.85	50.85

RoHS Compliant

TOLERANCES ARE

MORETHANALL
PCB CONNECTORS
Cable ASSEMBLIES

煜倫股份有限公司

www.morethanall.com

DRAWING BY CY

CHECKED BY GENIUS

UNIT / mm

SCALE 1 : 1

DATE

SIZE A4

X, ±
.X ± 0.30
.XX ± 0.25
.XXX ± 0.10
ANG ± 2°

PJECTION

照片框

ORDER INFORMATION

MIFB-PH-2Xxx-LF
SERIES | LEADFREE
2X02:04WAY
2X12:24WAY
HOUSING
MALE

DESCRIPTION: