

**Features:**

- 2 ~ 12 circuits available
- Material: LCP
- .0246"(0.625mm) square pin
- Tin-plated brass pin
- Standard color: Black

**Specification:**

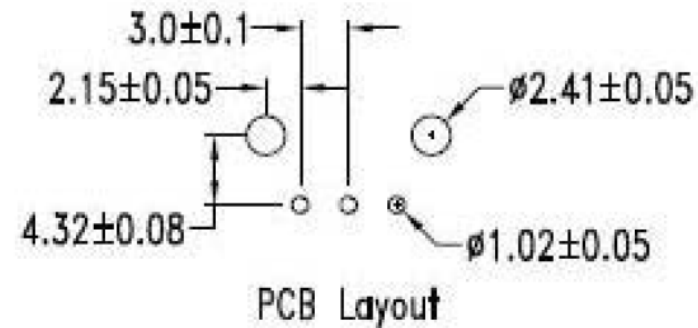
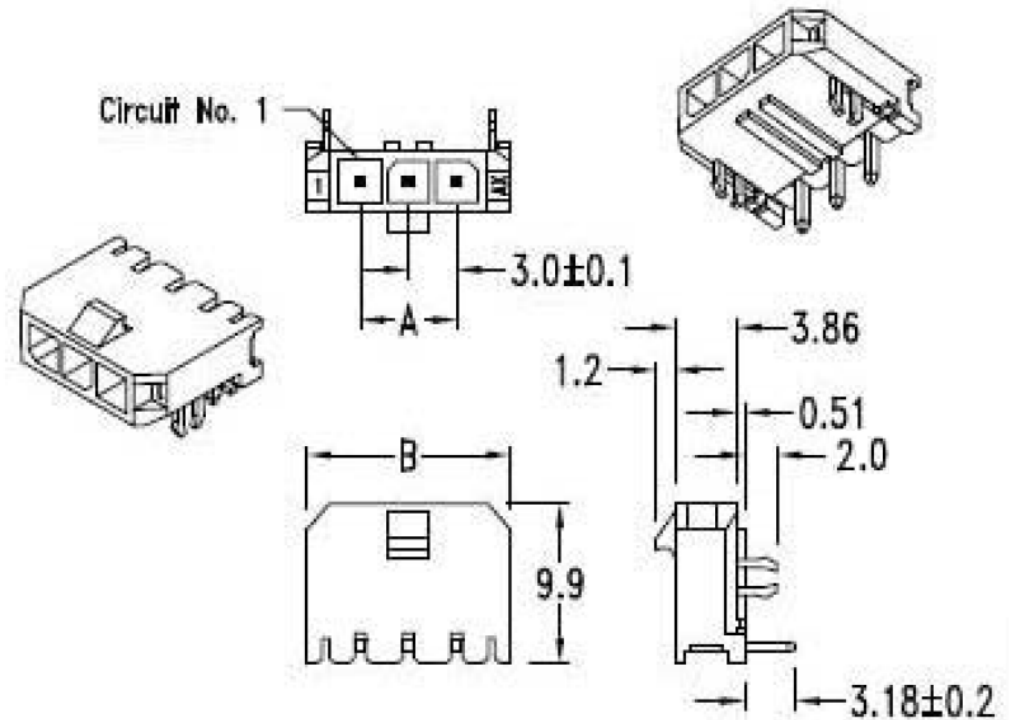
- Current rating:

Wire size	# 20	# 22	# 24	# 26	# 28	# 30
Ampere	5 A	5 A	4 A	3 A	2 A	1 A

- Voltage rating: 250V
- Contact resistance: 10mΩ Max.
- Dielectric strength: 1500V AC/minute
- Temperature rise: 30°C Max. (carry rated current load)

**Dimensional Information ( mm )**

Circuits	Dim. A	Dim. B	Circuits	Dim. A	Dim. B
2	3.0	9.65	8	21.0	27.65
3	6.0	12.65	9	24.0	30.65
4	9.0	15.65	10	27.0	33.65
5	12.0	18.65	11	30.0	36.65
6	15.0	21.65	12	33.0	39.65
7	18.0	24.65			



煜倫股份有限公司

www.morethanall.com

**RoHS Compliant**

DRAWING BY CY

CHECKED BY GENIUS

UNIT / mm SCALE 1 : 1

DATE

SIZE A4

TOLERANCES ARE

X.±  
.X±  
.XX±  
.XXX±  
ANG±

PJECTION

照片框

**ORDER INFORMATION**

MIF-PRZ-1Xxx-LF  
 SERIES | LEADFREE  
 | 1X02:02WAY  
 | 1X12:12WAY  
 CLIP  
 DIP 90°  
 MALE

DESCRIPTION: